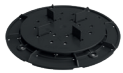
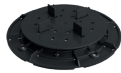




SUPPORT HEIGHT RANGES



RENOPAD PRO
13-18 mm



RENOPAD PRO
18-23 mm



RENOPAD PRO
23-29 mm



RENOPAD PRO
29-47 mm



RENOPAD PRO
47-65 mm



RENOPAD PRO
65-119 mm



RENOPAD PRO
119-173 mm



RENOPAD PRO
173-300 mm

KEY FEATURES

- high bearing capacity
- very stable support for floor pavers
- wide adjustment range: from 13 to 300 mm (plus optional extensions)
- base slope corrector
- 50 mm and 100 mm high pedestal extensions
- weather and UV resistant
- eco-friendly, produced from recycled materials and 100% recyclable

TECHNICAL DATA

BODY:	recycled polypropylene
PAVER SPACING:	2 mm
SUPPORT HEIGHT RANGES:	13-18 mm, 18-23 mm, 23-29 mm, 29-47 mm, 47-65 mm, 65-119 mm, 119-173 mm, 173-300 mm
COLOURS:	black base&head and green fix collar

INSTALLATION TOOLS

You will need the following tools: folding ruler, knife, spirit level, tile suction cup.

AUXILIARY COMPONENTS



0.5 mm
LEVELLING
DISC



1.0 mm
LEVELLING
DISC



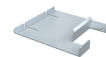
2.0 mm
LEVELLING
DISC



3.0 mm
LEVELLING
DISC



TOP
FIXING CLIP



BOTTOM
FIXING CLIP



SPACER CLIP



RENOPAD PRO
RUBBER ACOUSTIC
BOTTOM PAD



RENOPAD PRO
RUBBER ACOUSTIC
TOP PAD



JOIST
CRADLE



0-5% BASE SLOPE
CORRECTOR



50 mm
EXTENSION



100 mm
EXTENSION

RENOPAD PRO are height adjustable pedestals allowing vertical adjustment of terrace, patio or balcony flooring pavers.



SEE PRODUCT →



BASE

Cement-bound or other robust material.

INSTALLATION GUIDELINES

Before installation read the product brochures or any other relevant guidelines relating to pedestal flooring installation, paying particular attention to support spacing requirements.

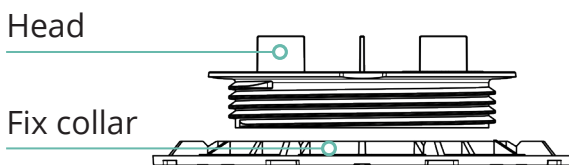
MAINTENANCE GUIDELINES

RENOPAD PRO are suitable for balcony, terrace or patio floors and other areas with max. specified live load of 3,5 kN/m².

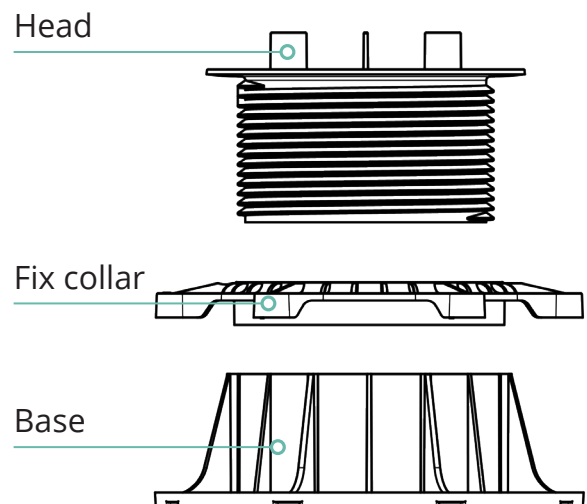
DIMENSIONS

GENERAL ASSEMBLY DRAWING

13-18 mm, 18-23 mm, 23-29 mm



29-47 mm, 47-65 mm, 65-119 mm,
119-173 mm, 173-300 mm





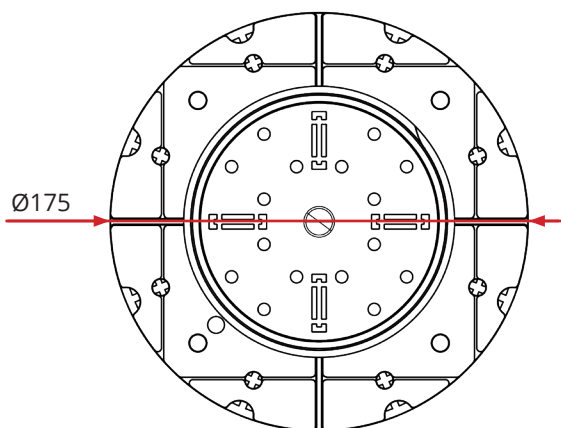
DIMENSIONS

GENERAL ASSEMBLY DRAWING

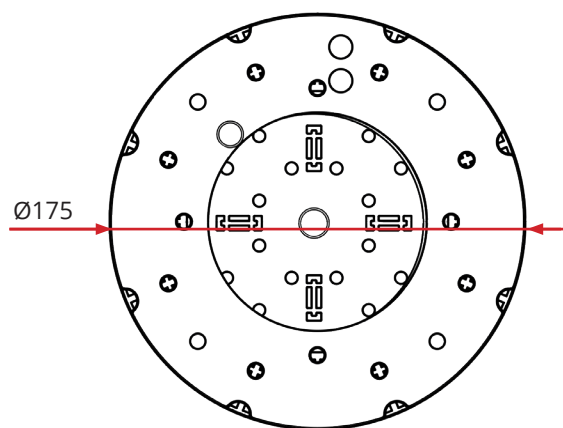
13-18 mm, 18-23 mm, 23-29 mm

29-47 mm, 47-65 mm, 65-119 mm,
119-173 mm, 173-300 mm

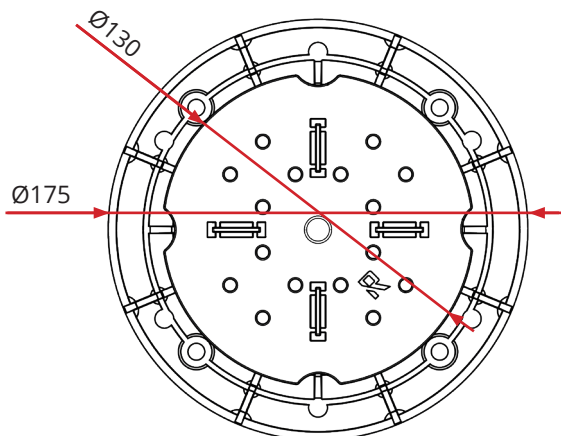
bottom



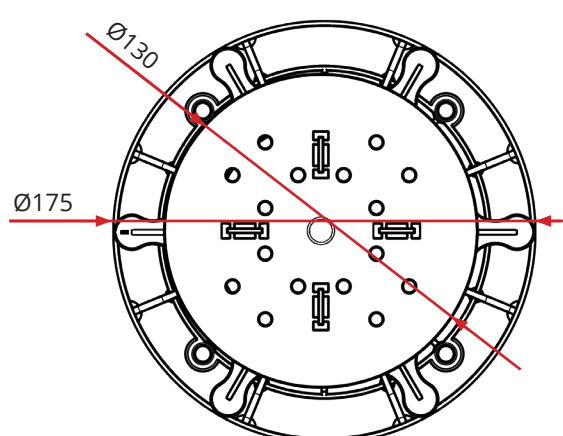
bottom



top



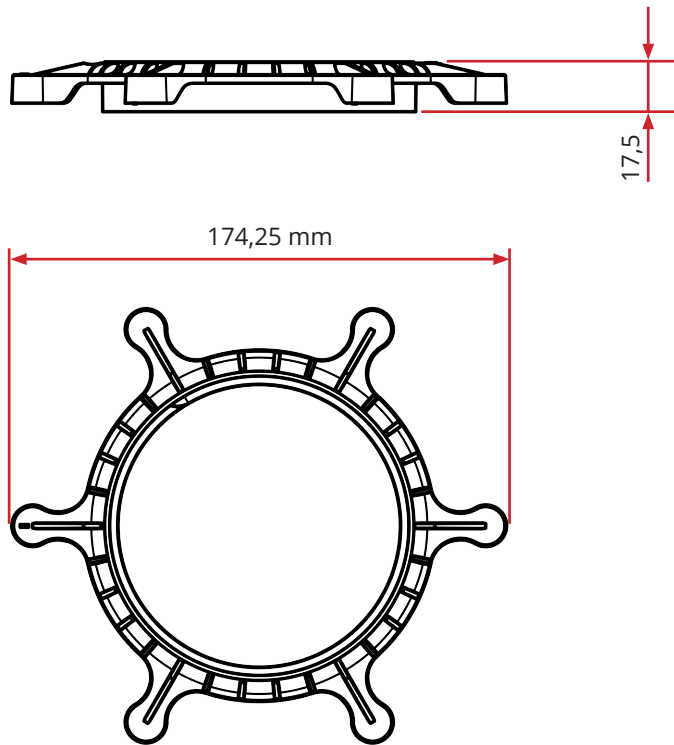
top



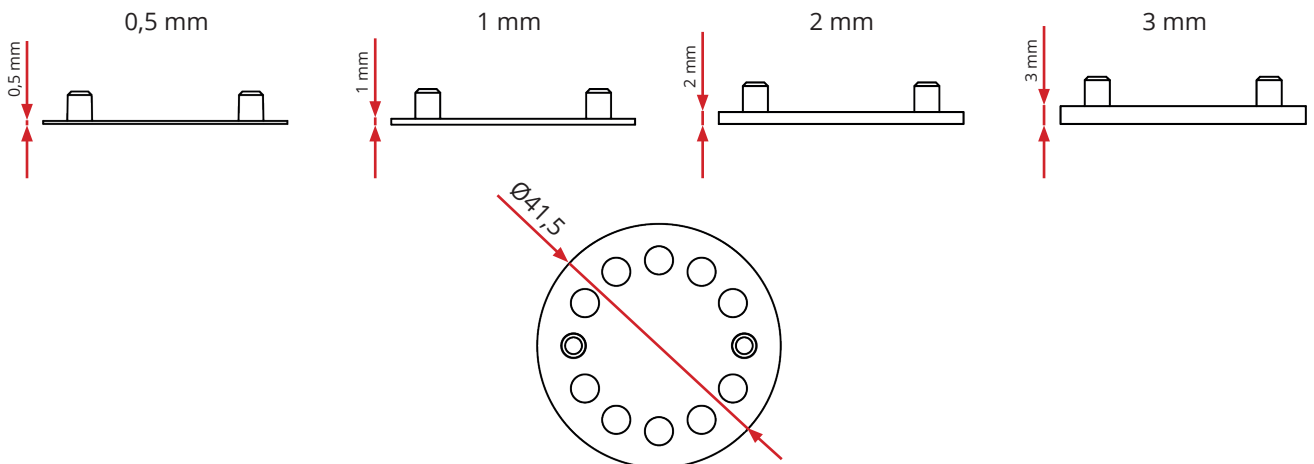


DIMENSIONS

FIX COLLAR



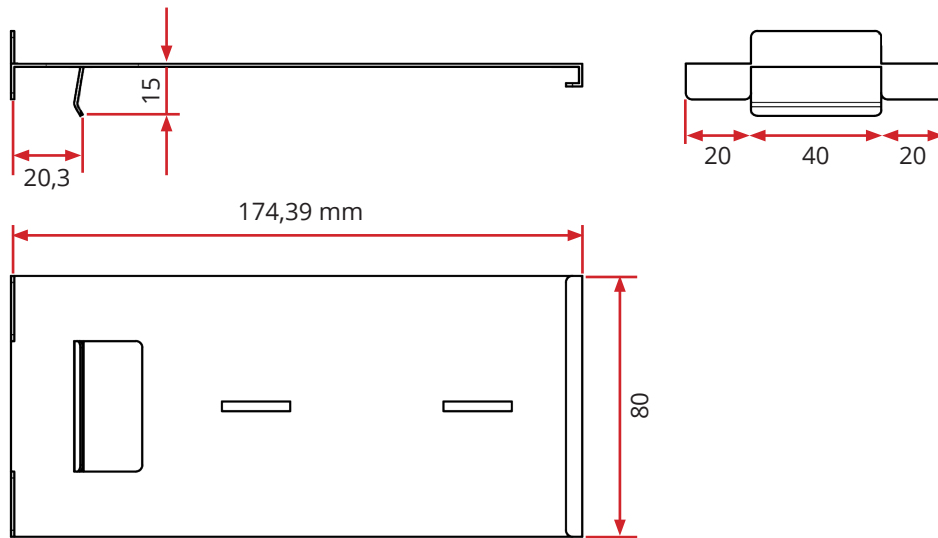
LEVELLING DISCS



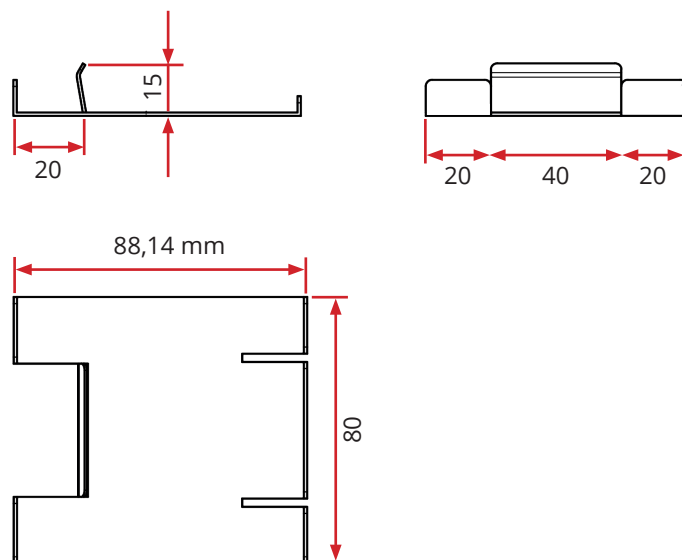


DIMENSIONS

TOP FIXING CLIP



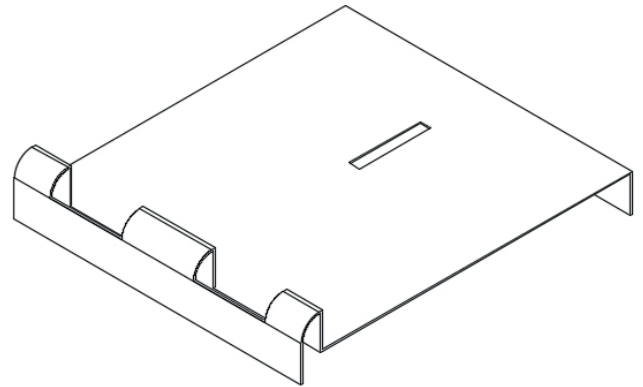
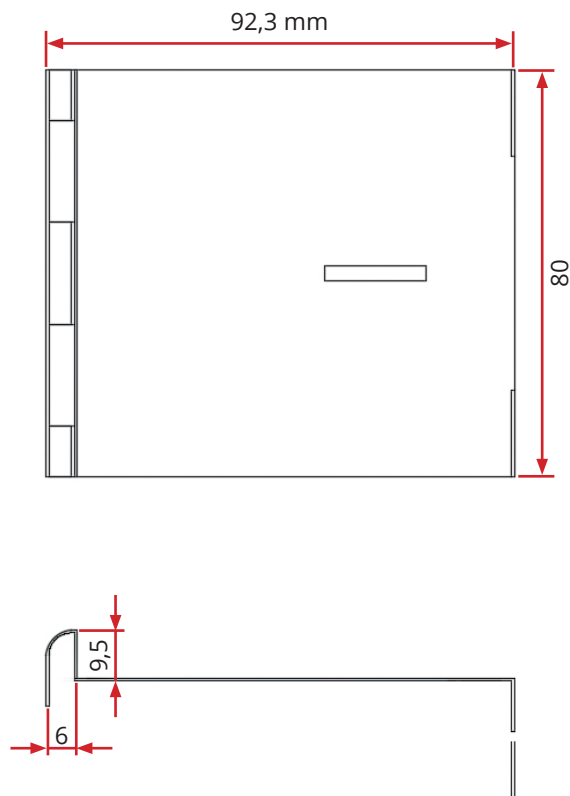
BOTTOM FIXING CLIP





DIMENSIONS

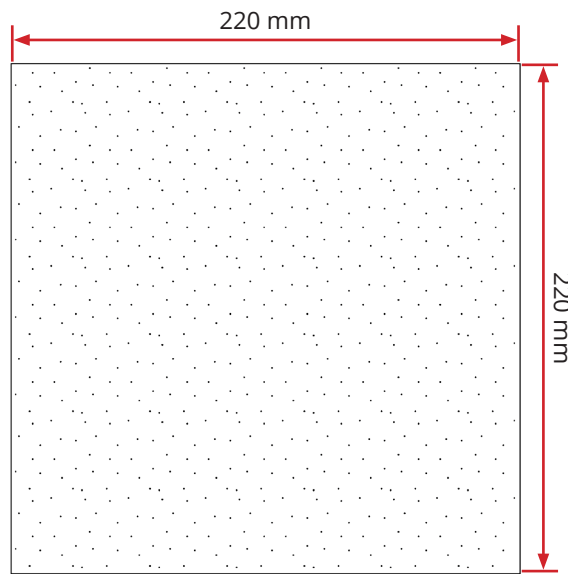
SPACER CLIP



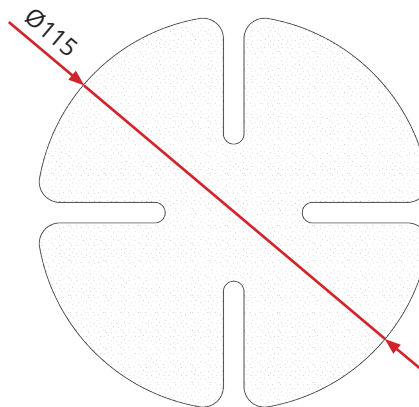


DIMENSIONS

RUBBER ACOUSTIC BOTTOM PAD



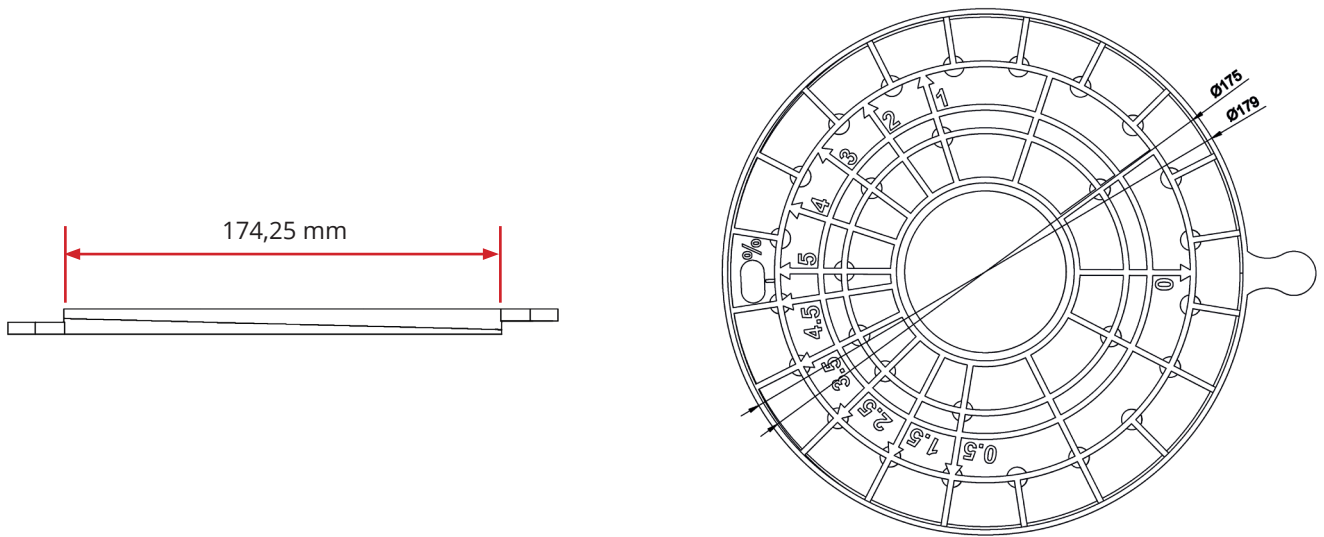
RUBBER ACOUSTIC TOP PAD



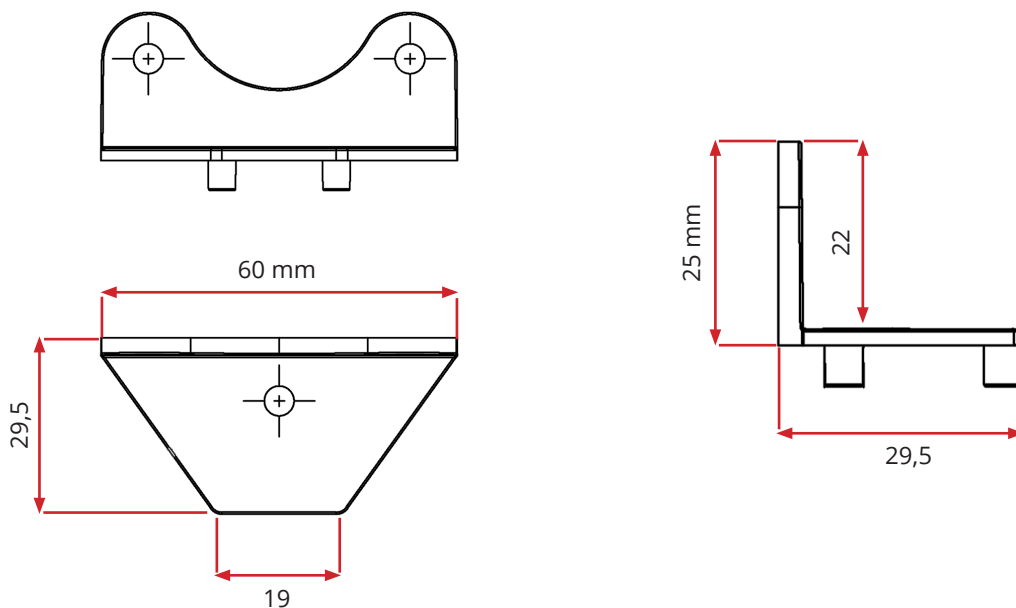


DIMENSIONS

0-5% BASE SLOPE CORRECTOR



JOIST CRADLE



Renoplast

RENOPAD PRO

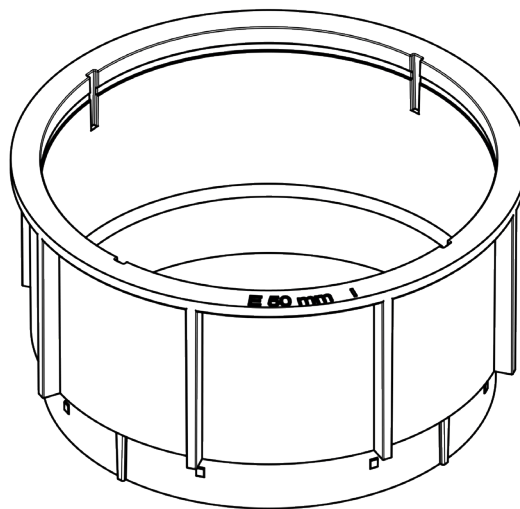
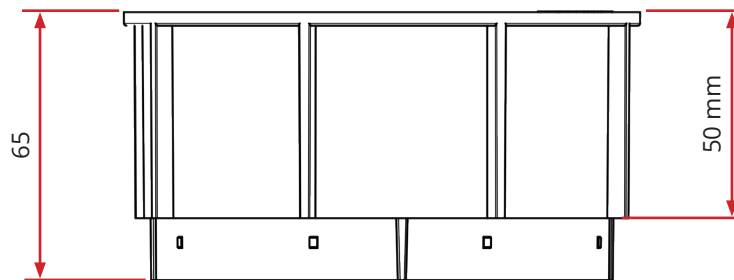
ADJUSTABLE PEDESTALS

RENOPAD PRO are height adjustable pedestals allowing vertical adjustment of terrace, patio or balcony flooring pavers.



DIMENSIONS

EXTENSION 50



Renoplast

RENOPAD PRO

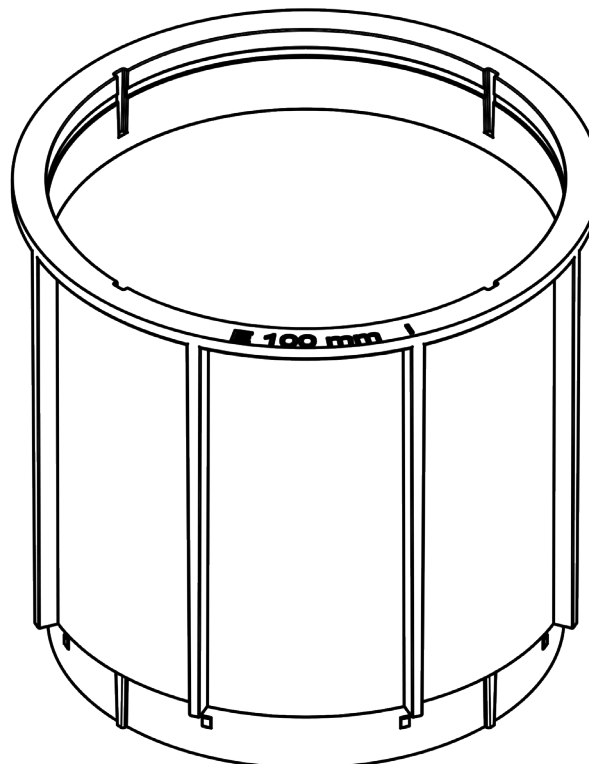
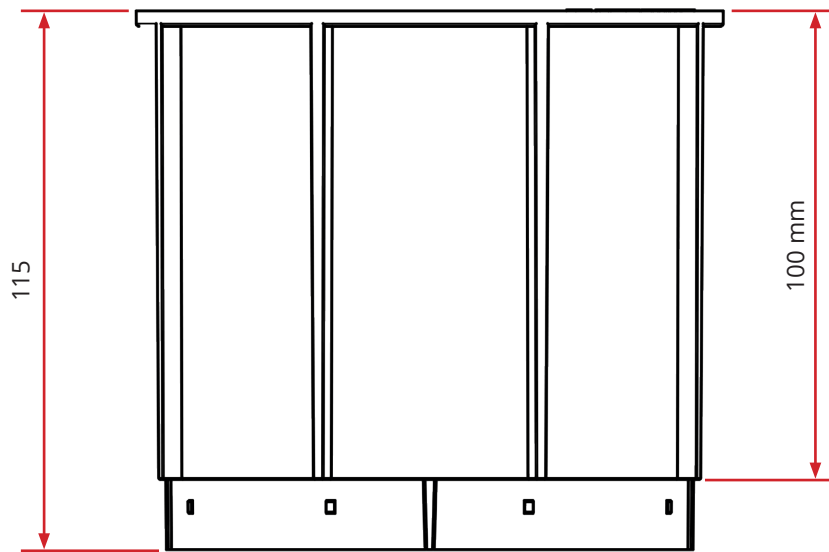
ADJUSTABLE PEDESTALS

RENOPAD PRO are height adjustable pedestals allowing vertical adjustment of terrace, patio or balcony flooring pavers.



DIMENSIONS

EXTENSION 100



Renoplast

RENOPAD PRO

ADJUSTABLE PEDESTALS

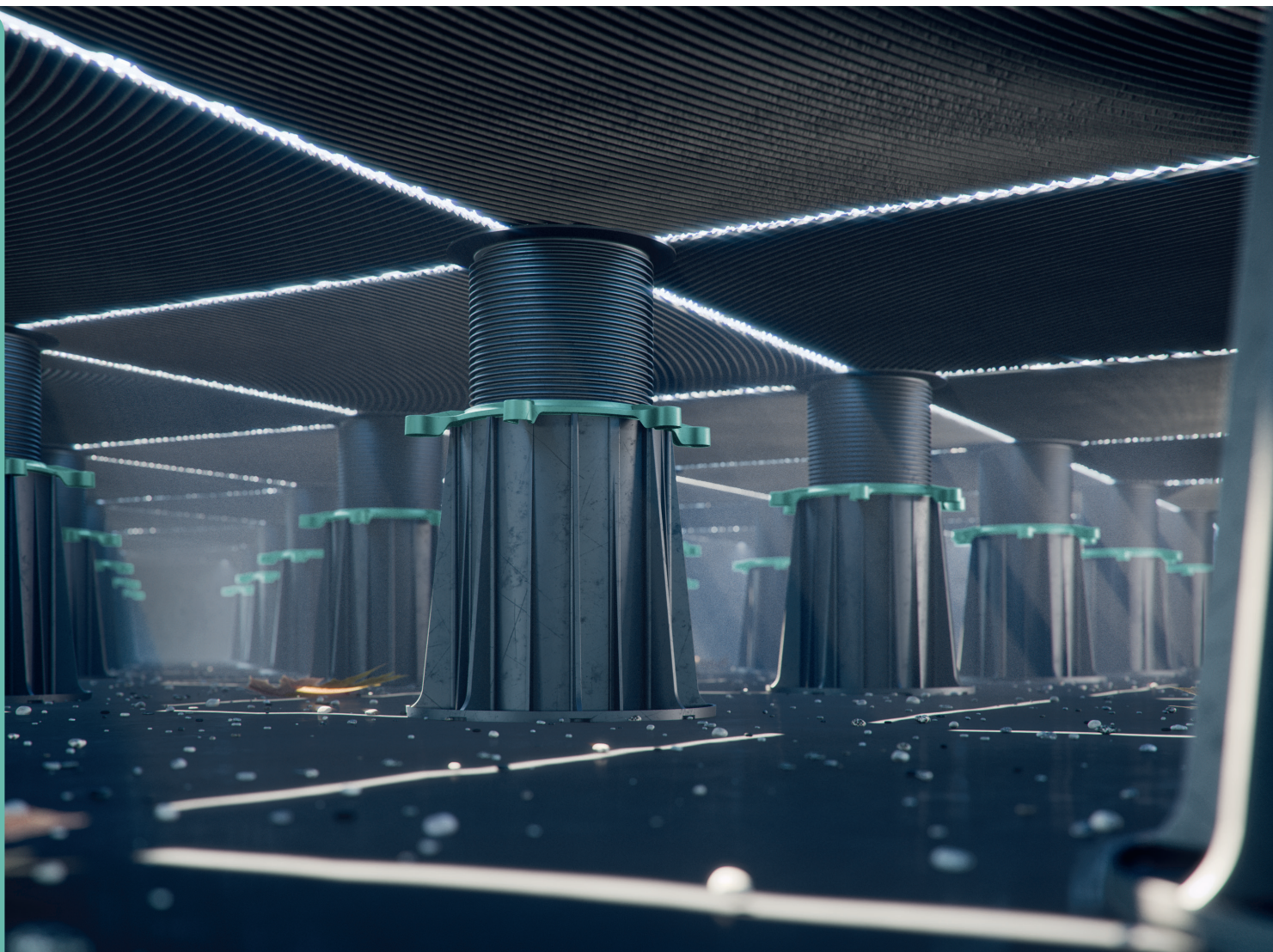
RENOPAD PRO are height adjustable pedestals allowing vertical adjustment of terrace, patio or balcony flooring pavers.



www.renoplast.pl/en

phone: +48 697 635 580

RENOPLAST Sp. z o.o., Ul. Fabryczna 14, 34-300 Żywiec, POLAND



Fundusze Europejskie



Rzeczpospolita Polska

Finansowane przez Unię Europejską



Notes:

Edition: 6.05.2026. This product brochure supersedes all previous editions. It gives recommendations for standard application conditions only, and thus shall not be used in place of installation drawings. Suitability of our products for particular conditions should be verified by the contractor. The actual product specifications may vary slightly due to allowable process or tool dimension changes. Any materials used in combination with Renoplast products must be obtained from reputable sources. Our liability for any omissions or inaccuracies of the data given in this brochure is limited to gross disinformation and/or negligence.

Renoplast

RENOPLAST Sp. z o.o.
phone: +48 697 635 580
office@renoplast.pl
www.renoplast.pl/en

