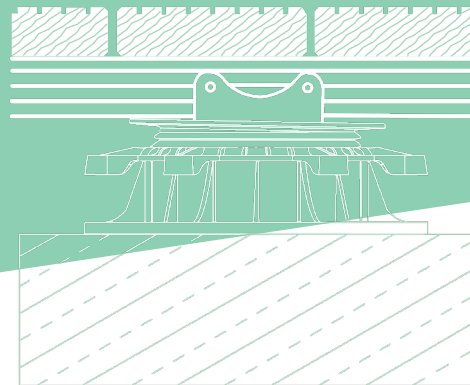


Renoplast DECKING JOIST

USED IN SUBFRAMES OF:

- composite plank decking
- wood plank decking



KEY FEATURES

- high rigidity
- high bearing capacity
- weather resistant
- only 32 mm high

TECHNICAL DATA

BODY	AW 6060 aluminium alloy
WEIGHT	approx. 730 g/m (linear meter)

INSTALLATION TOOLS

Hacksaw or circular saw with aluminium cutting blade, folding ruler, spirit level, mason string line (rope or monofilament), drill.

AUXILIARY COMPONENTS



**BUTT JOINT
CONNECTOR**



**RIGHT ANGLE
CONNECTOR**



**RENOPAD PRO
JOIST CRADLE**



**RENOPAD PRO
PEDESTAL**

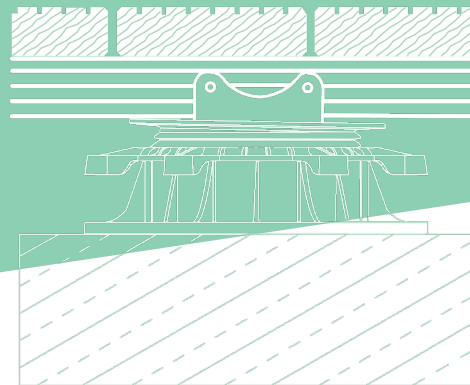
BASE

The base must be sound, level and clean. Screeds should be of min. C20 strength and should cure for 28 days.

Renoplast DECKING JOIST

USED IN SUBFRAMES OF:

- composite plank decking
- wood plank decking



INSTALLATION

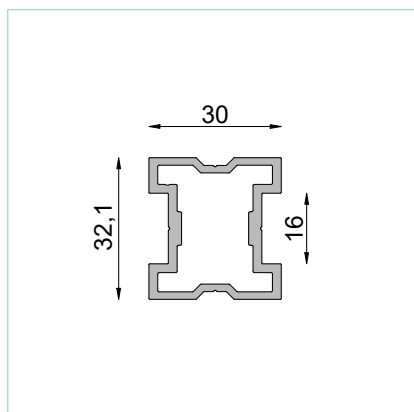
Joist spacing: max. 40 cm on centre. Pedestal spacing should not exceed 60 cm. Read and follow the relevant decking installation guide.

INSTALLATION GUIDELINES

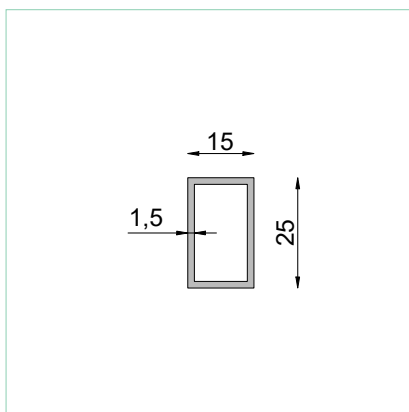
The manufacturer shall not be liable for any damage resulting from product misuse or using inadequate auxiliary materials or tools. All work must be in compliance with construction plans, product data sheet, relevant standards, good construction practice and safety requirements.

DIMENSIONS

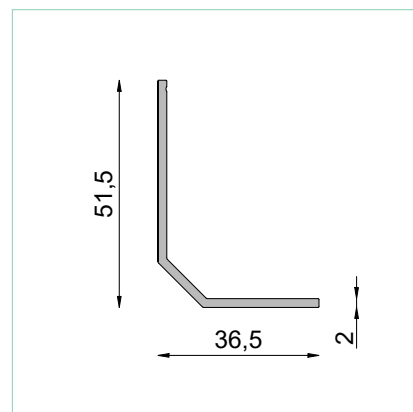
CROSS-SECTIONS:



DECKING JOIST

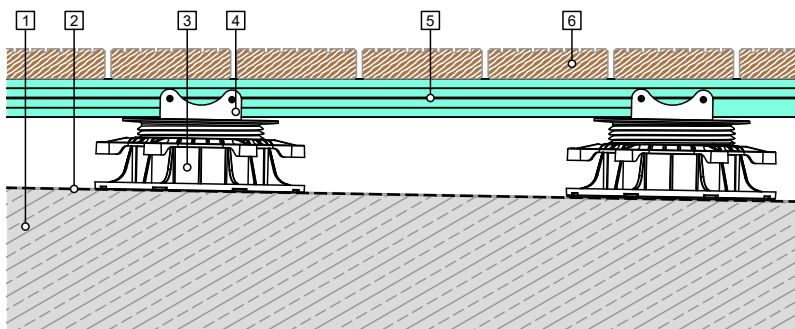


BUTT JOINT
CONNECTOR



RIGHT ANGLE CONNECTOR

INSTALLATION EXAMPLE

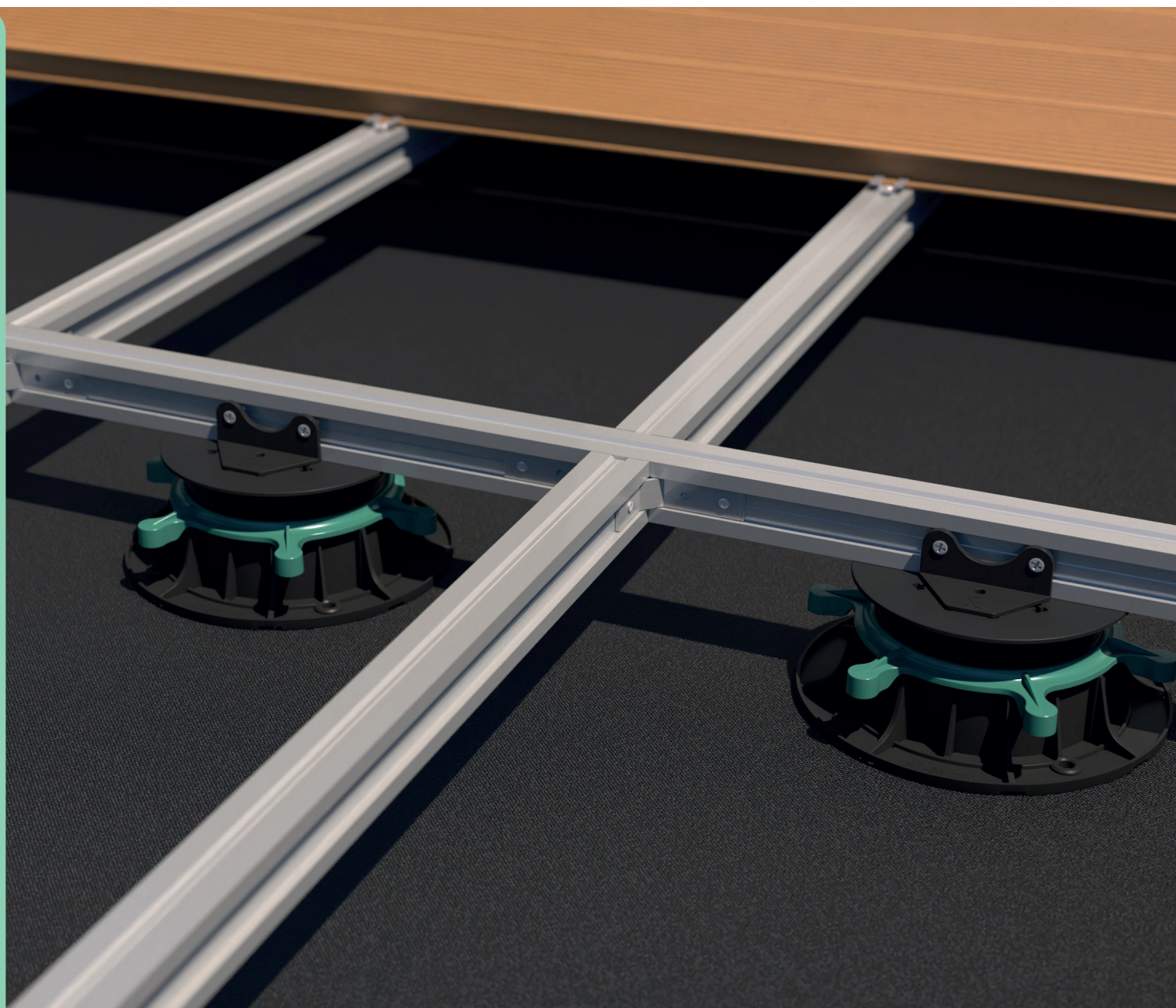
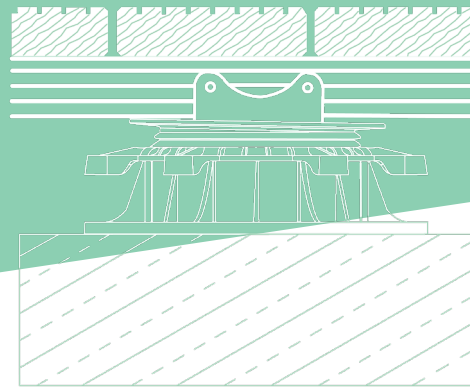


1. Sloping layer
2. Waterproof barrier (e.g., EPDM membrane)
3. RENOPAD PRO pedestal
4. RENOPAD PRO joist cradle
5. Decking joist
6. Decking planks

Renoplast DECKING JOIST

USED IN SUBFRAMES OF:

- composite plank decking
- wood plank decking



Notes:

Edition: 6.05.2026. This product brochure supersedes all previous editions. It gives recommendations for standard application conditions only, and thus shall not be used in place of installation drawings. Suitability of our products for particular conditions should be verified by the contractor. The actual product specifications may vary slightly due to allowable process or tool dimension changes. Any materials used in combination with Renoplast products must be obtained from reputable sources. Our liability for any omissions or inaccuracies of the data given in this brochure is limited to gross disinformation and/or negligence.

Renoplast

RENOPLAST Sp. z o.o.
phone: +48 697 635 580
office@renoplast.pl
www.renoplast.pl/en

