

KEY FEATURES

- easy and quick installation
- neat and durable method of terminating waterproof roll materials on walls, parapet walls or fire wall extensions
- made of highly corrosion resistant aluminium alloy

TECHNICAL DATA

BODY	made of AW 6060 aluminium alloy
WEIGHT	approx. 109 g/m (linear meter)
COATING SYSTEM	natural uncoated aluminium

INSTALLATION TOOLS

You will need the following tools: folding ruler or tape measure, metal handsaw or circular saw suitable for cutting aluminium, electric drill, screwdriver or electric driver, string line (cord or monofilament), spirit level.

BASE

Walls, parapets, fire wall extensions, plinths allowing fixing with wall plugs.

AMBIENT CONDITIONS DURING INSTALLATION

Ambient conditions should be as typically required for waterproofing and installation work.

COLOURS

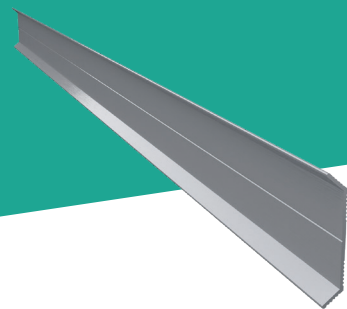
Natural uncoated aluminium.

INSTALLATION

The trims are fixed mechanically using anchors appropriate for the substrate.

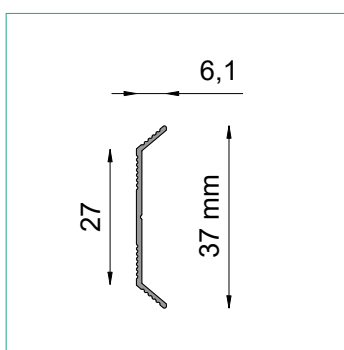
SEE PRODUCT →





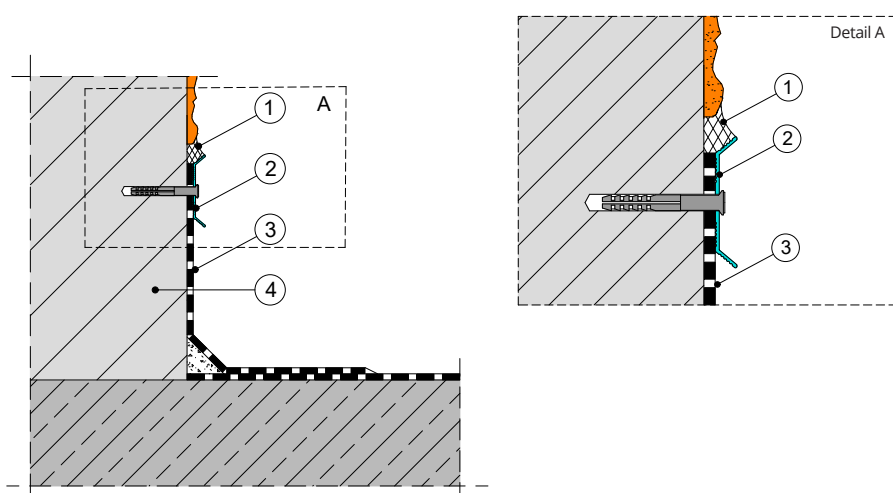
DIMENSIONS

CROSS-SECTIONS:



LD37 TERMINATION BAR

INSTALLATION EXAMPLE



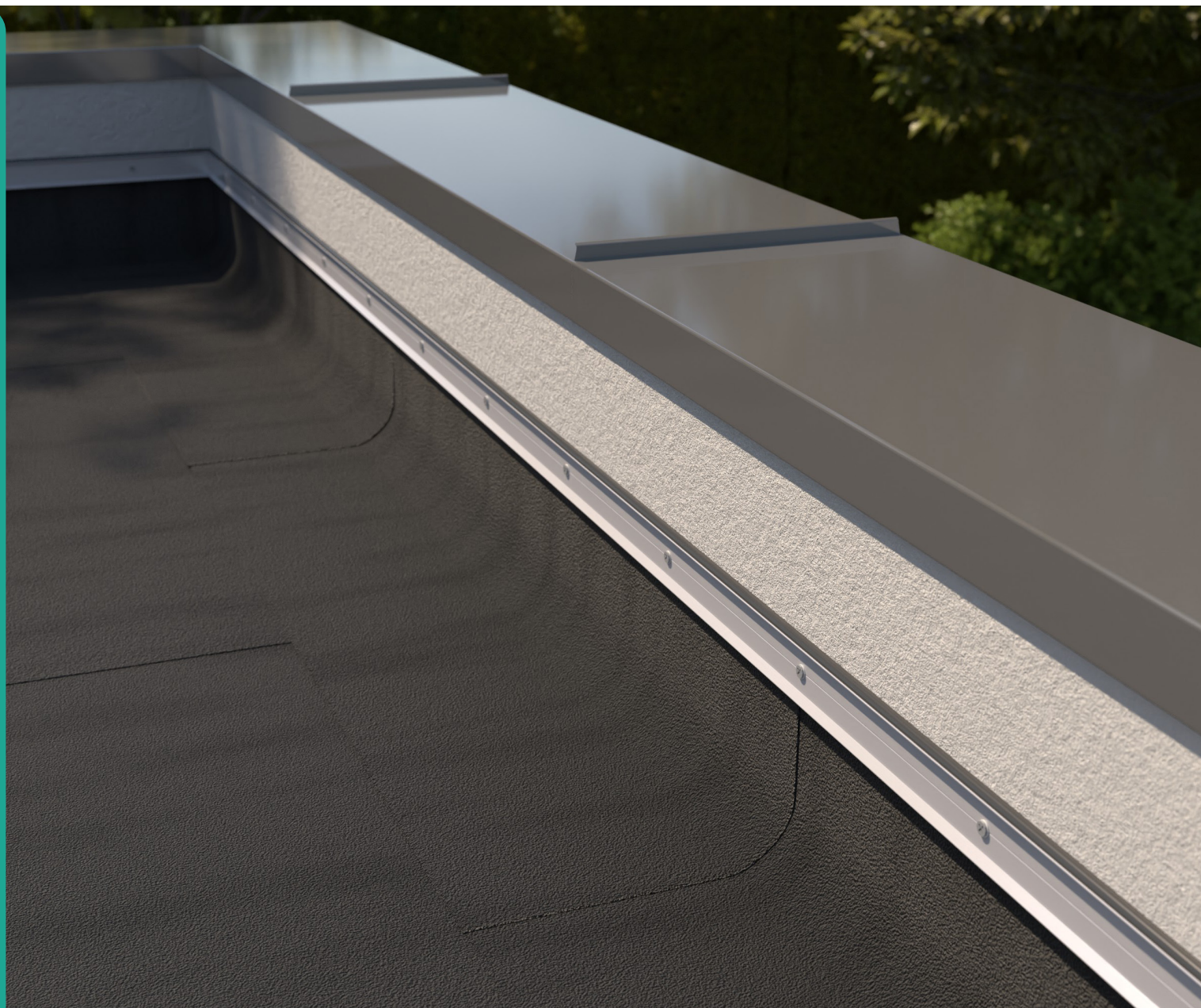
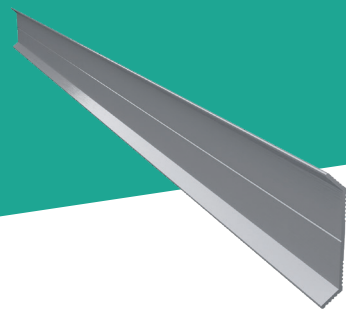
1. Polyurethane sealant
2. LD37 termination bar
3. Waterproof roll material
4. Substrate

Renoplast

LD37

TERMINATION BAR

TERMINATION BAR FOR WATERPROOF ROLL MATERIALS, INCLUDING BITUMEN FELT, PVC, TPO, EPDM.



Notes:

Edition: 7.05.2026. This product brochure supersedes all previous editions. It gives recommendations for standard application conditions only, and thus shall not be used in place of installation drawings. Suitability of our products for particular conditions should be verified by the contractor. The actual product specifications may vary slightly due to allowable process or tool dimension changes. Any materials used in combination with Renoplast products must be obtained from reputable sources. Our liability for any omissions or inaccuracies of the data given in this brochure is limited to gross disinformation and/or negligence.

Renoplast

RENOPLAST Sp. z o.o.
phone: +48 697 635 580
office@renoplast.pl
www.renoplast.pl/en

