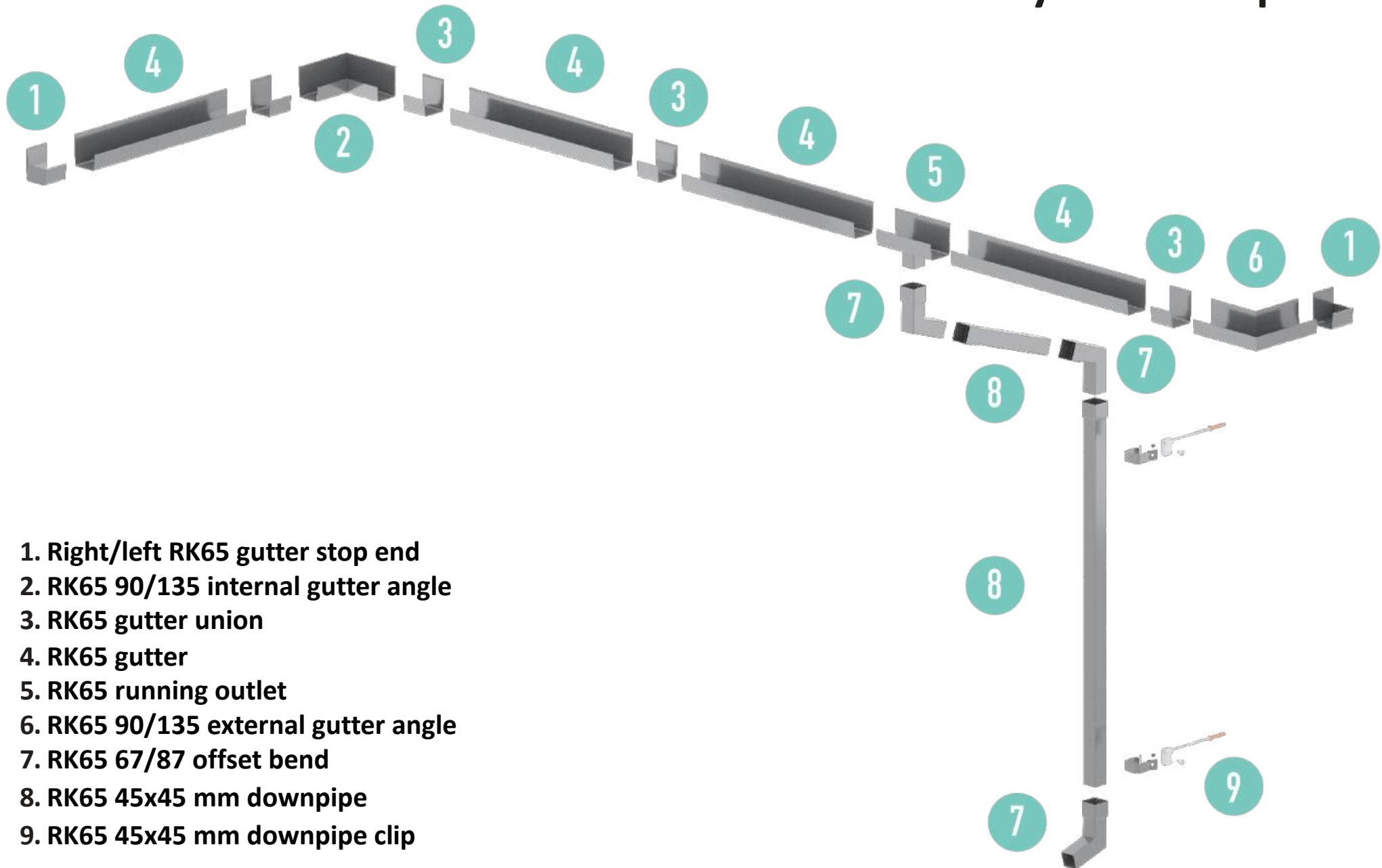


RENOPLAST RK65 box gutter system installation guide for patios/terraces with Renoplast drip edges



Placement of RK65 gutter system components

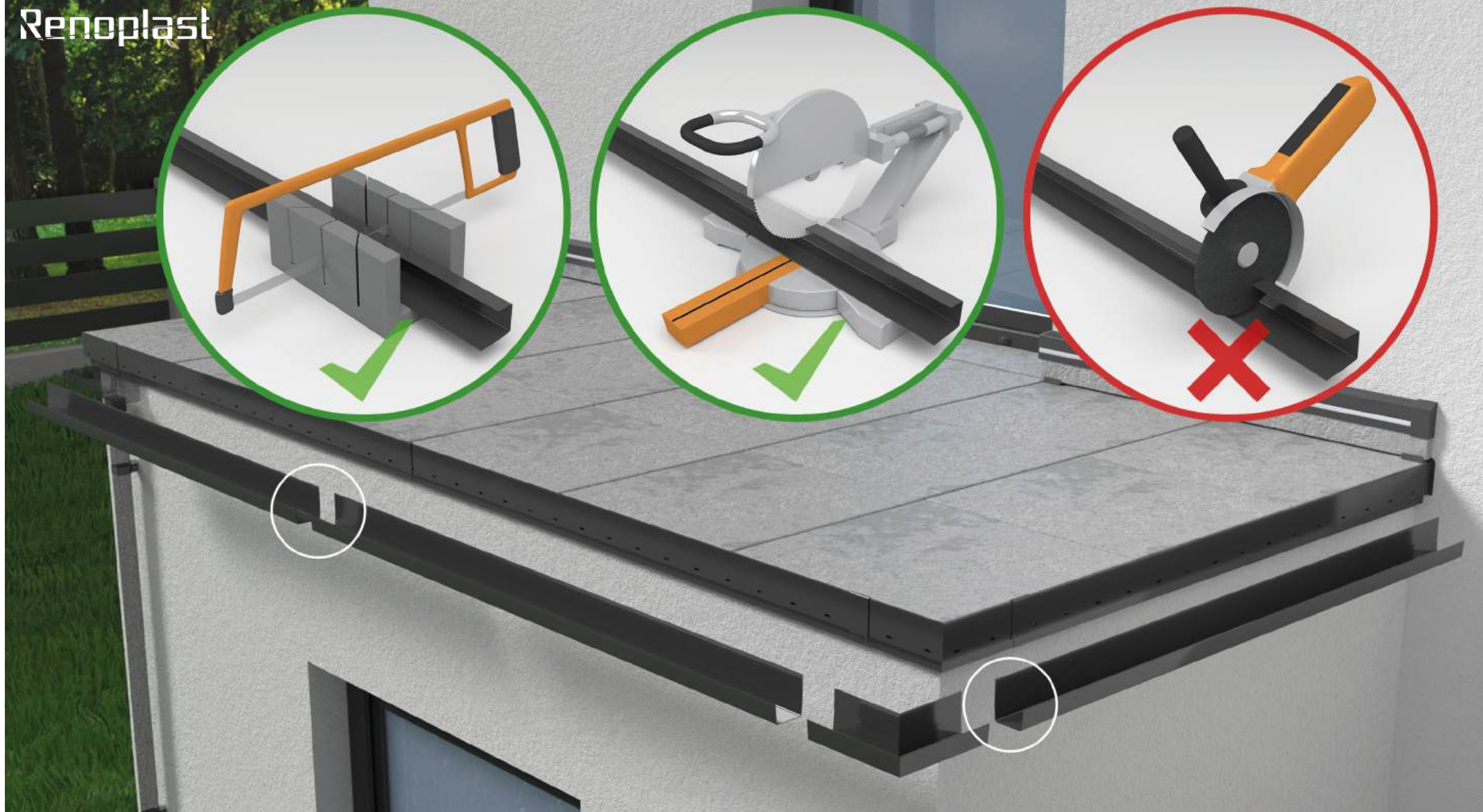


1. Right/left RK65 gutter stop end
2. RK65 90/135 internal gutter angle
3. RK65 gutter union
4. RK65 gutter
5. RK65 running outlet
6. RK65 90/135 external gutter angle
7. RK65 67/87 offset bend
8. RK65 45x45 mm downpipe
9. RK65 45x45 mm downpipe clip



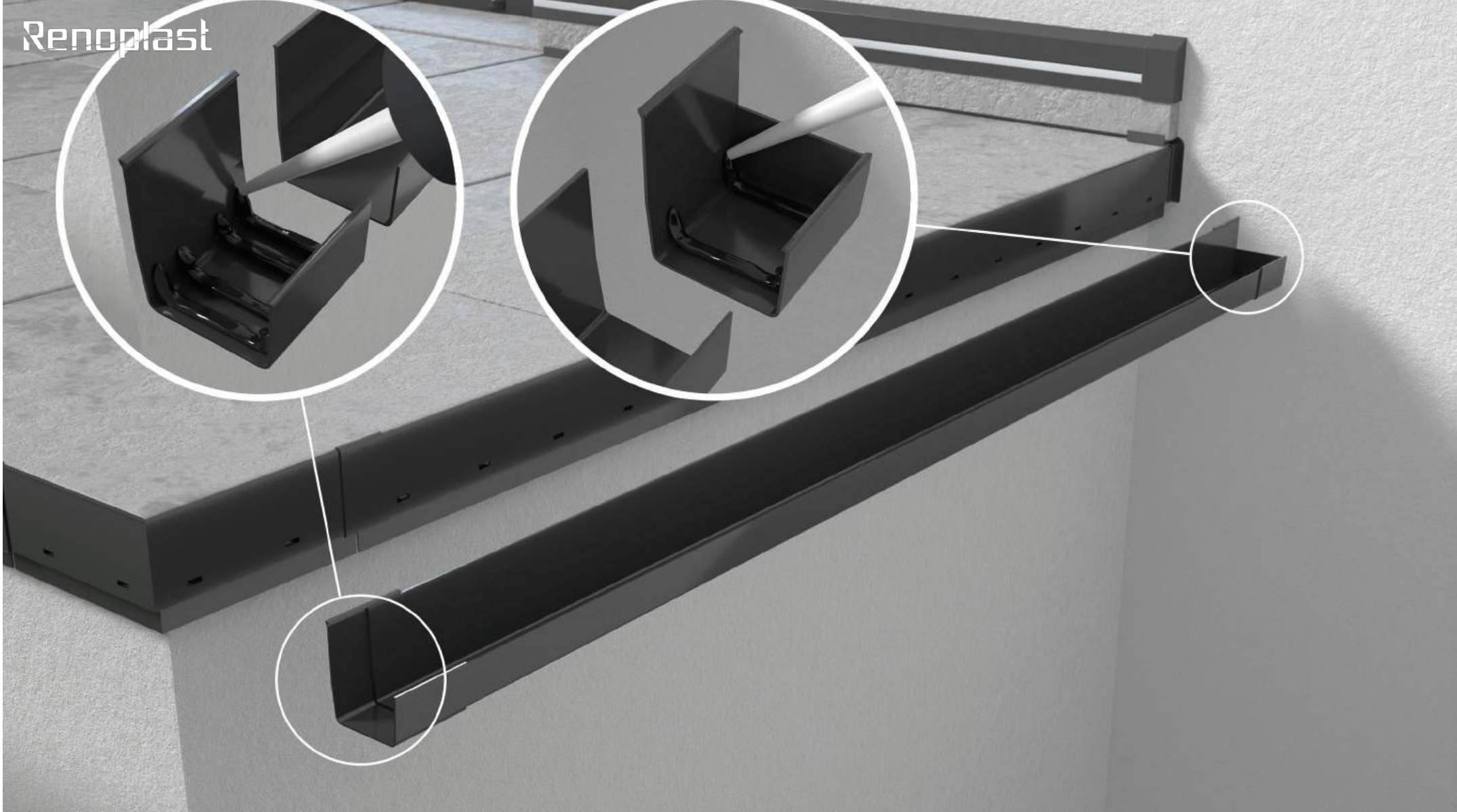
Preparation for installation

On the terrace/patio or balcony finished with **W20R**, **W60**, **W35 PLUS** or **W30R PLUS Renoplast drip edges** measure the length of the side where you have planned **RK65 gutter** installation and choose running outlet position(s), for example on the terrace front, as shown in the above picture. Two outlets are required for up to 30 m² surface area, increased to three for terraces/balconies greater than 60 m², etc.



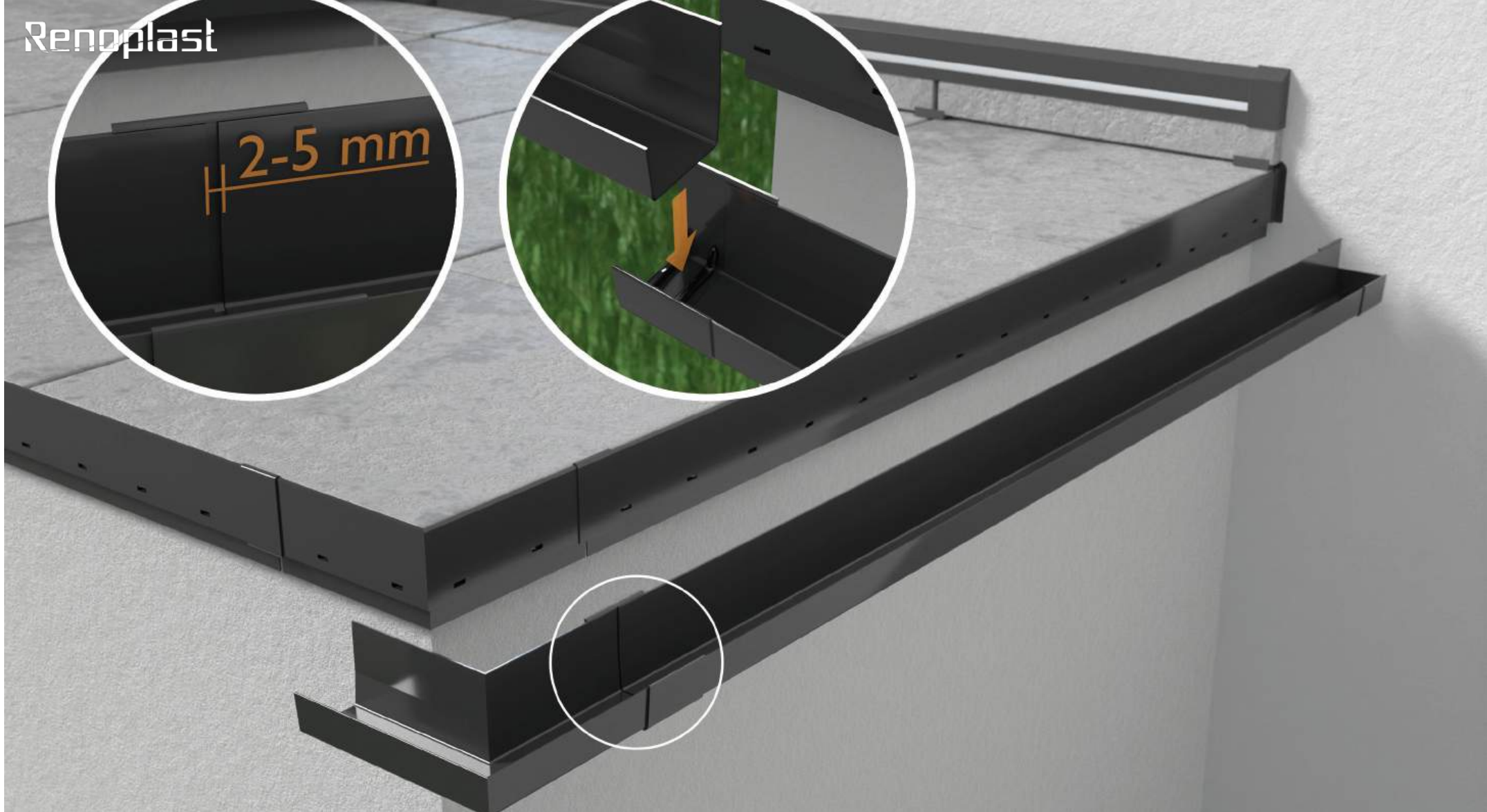
Preparation of RK65 gutter lengths

Measure straight runs to cut the gutters to the required length. Allow for ca. 2-5 mm wide expansion joints between adjacent gutter lengths. For cutting use a metal handsaw or a circular saw equipped with an adequate aluminium cutting disc. Other tools may damage the paint coat, which is considered an unacceptable defect.



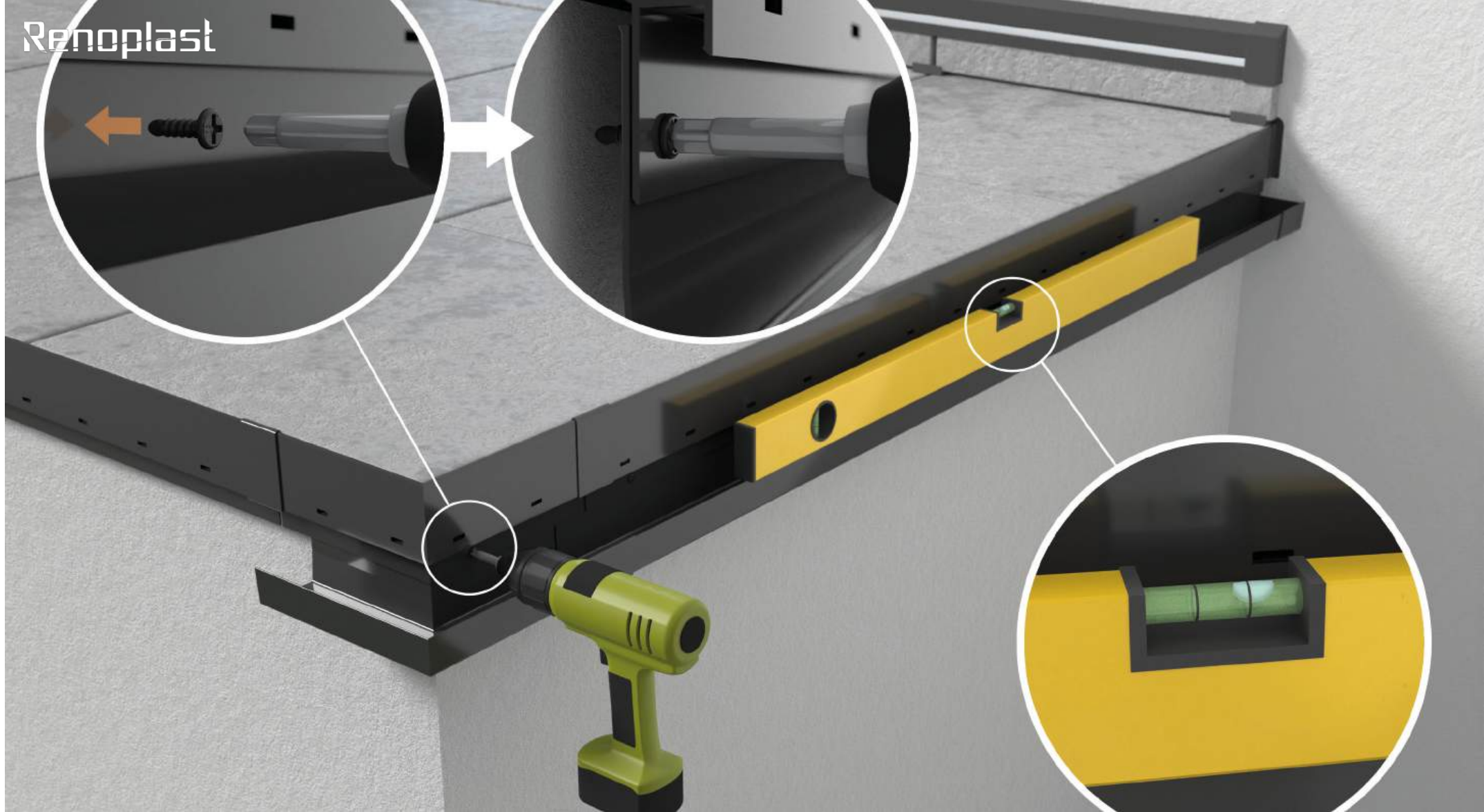
Connecting RK65 gutter lengths, corners and unions

Gutter lengths are connected together with unions. To make a connection apply MS Polymer or polyurethane flexible sealant on the union inner surfaces and connect the elements together leaving a 2-5 mm gap between them. Before sealant application degrease the surfaces, by wiping with a cloth saturated with a suitable agent, such as isopropyl alcohol.



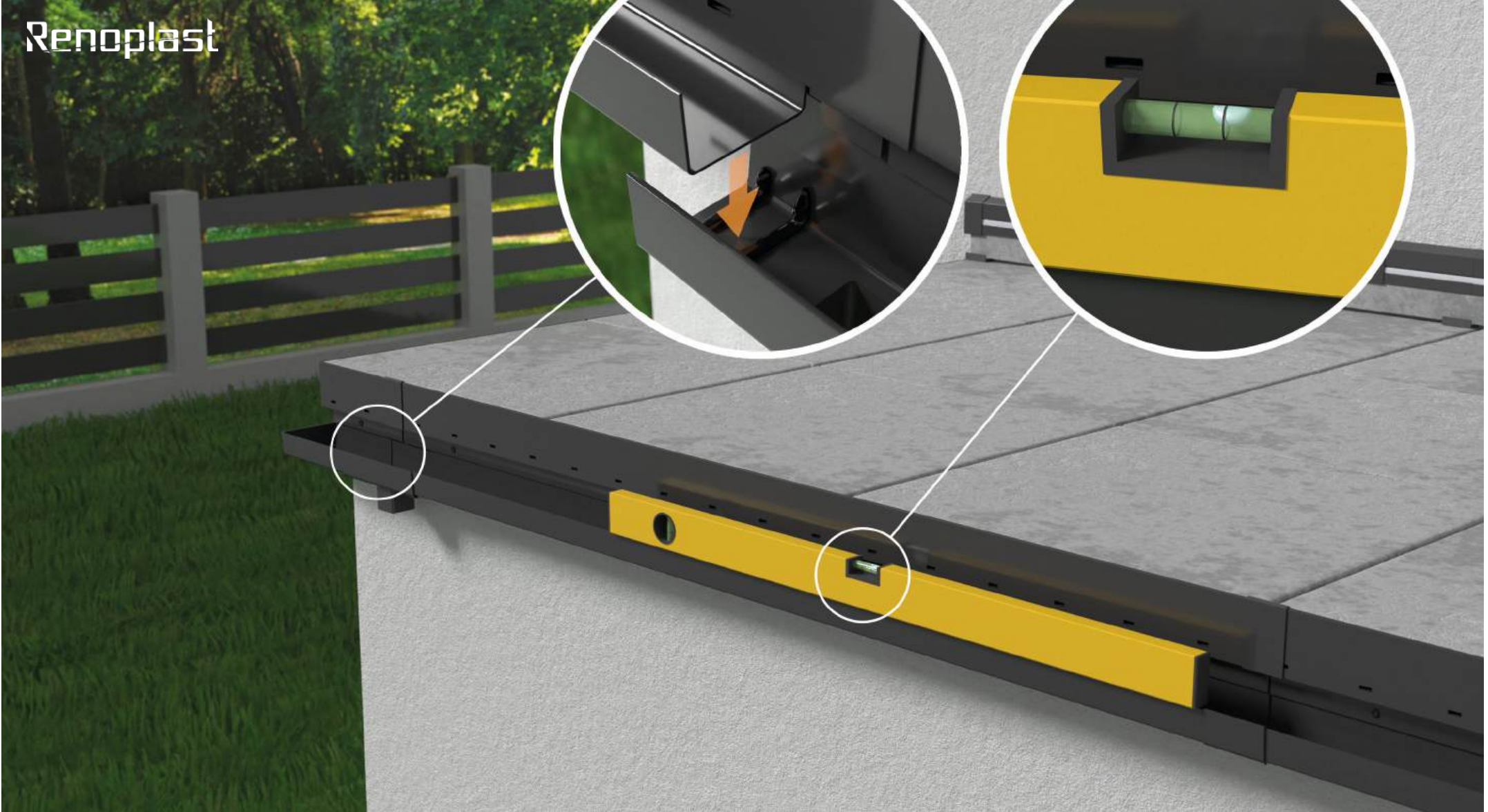
Fixing the first section of RK65 guttering

Insert the previously assembled gutter section under the drip edge apron, adjust the slope as required, and secure the gutter assembly using the supplied self-drilling fasteners.



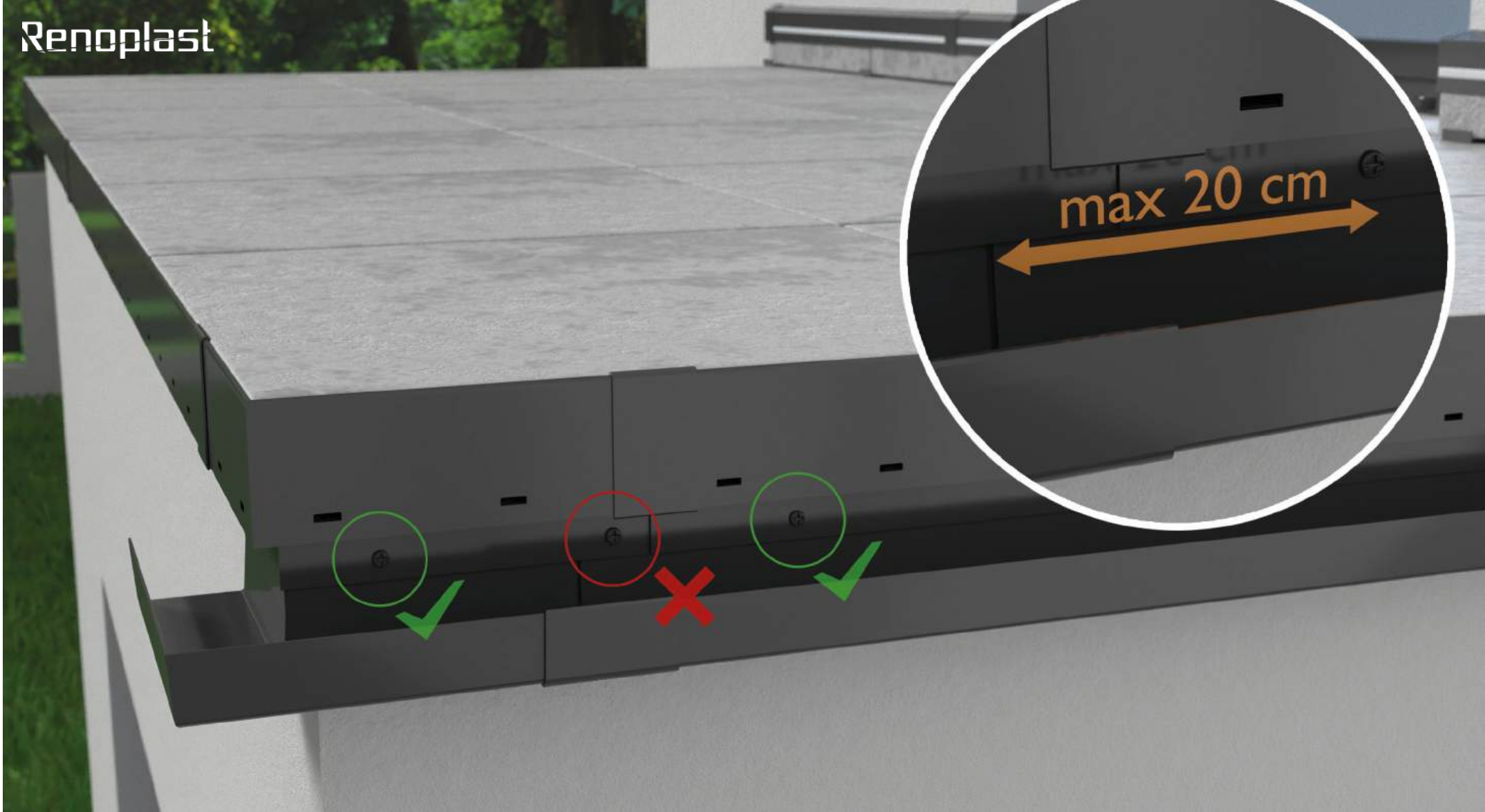
Fixing next sections of RK65 guttering

The next sections are installed in the same way.



RK65 running outlet installation

The gutter running outlet should be installed at the lowest point along the gutter.



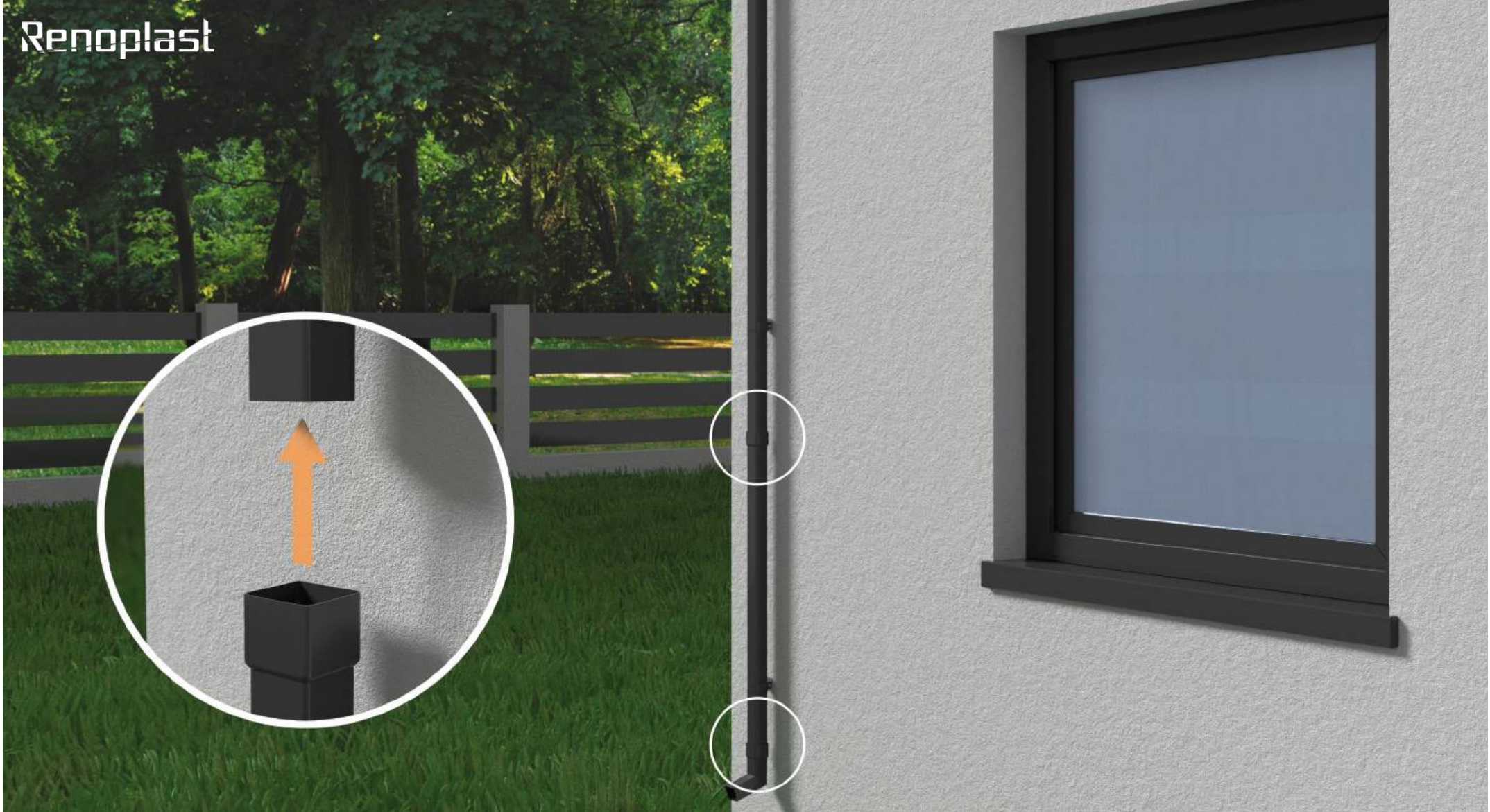
Gutter installation instructions

Short lengths should be fixed at least at 2 points. The outermost fixing points should be spaced by max. 20 cm from the gutter edge. Guttering joints should not be located more than 20 cm from the drip edging joints. Avoid fixing one guttering length to two different drip edging sections.



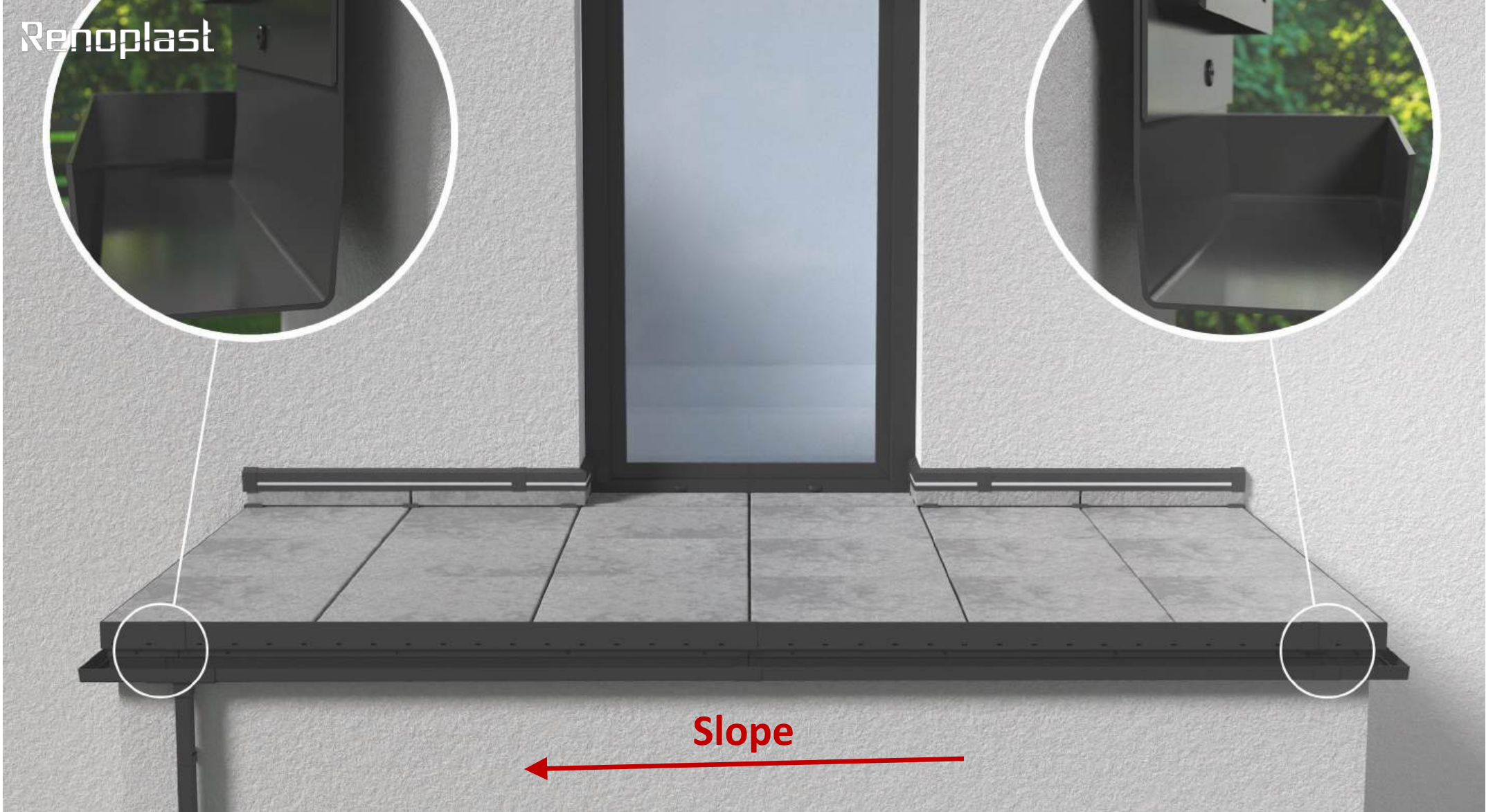
Fixing downpipe clips

Downpipe clips positions should be aligned with the running outlet axis. The maximum distance between downpipe clips should not exceed 180 cm for 2 m downpipe length.



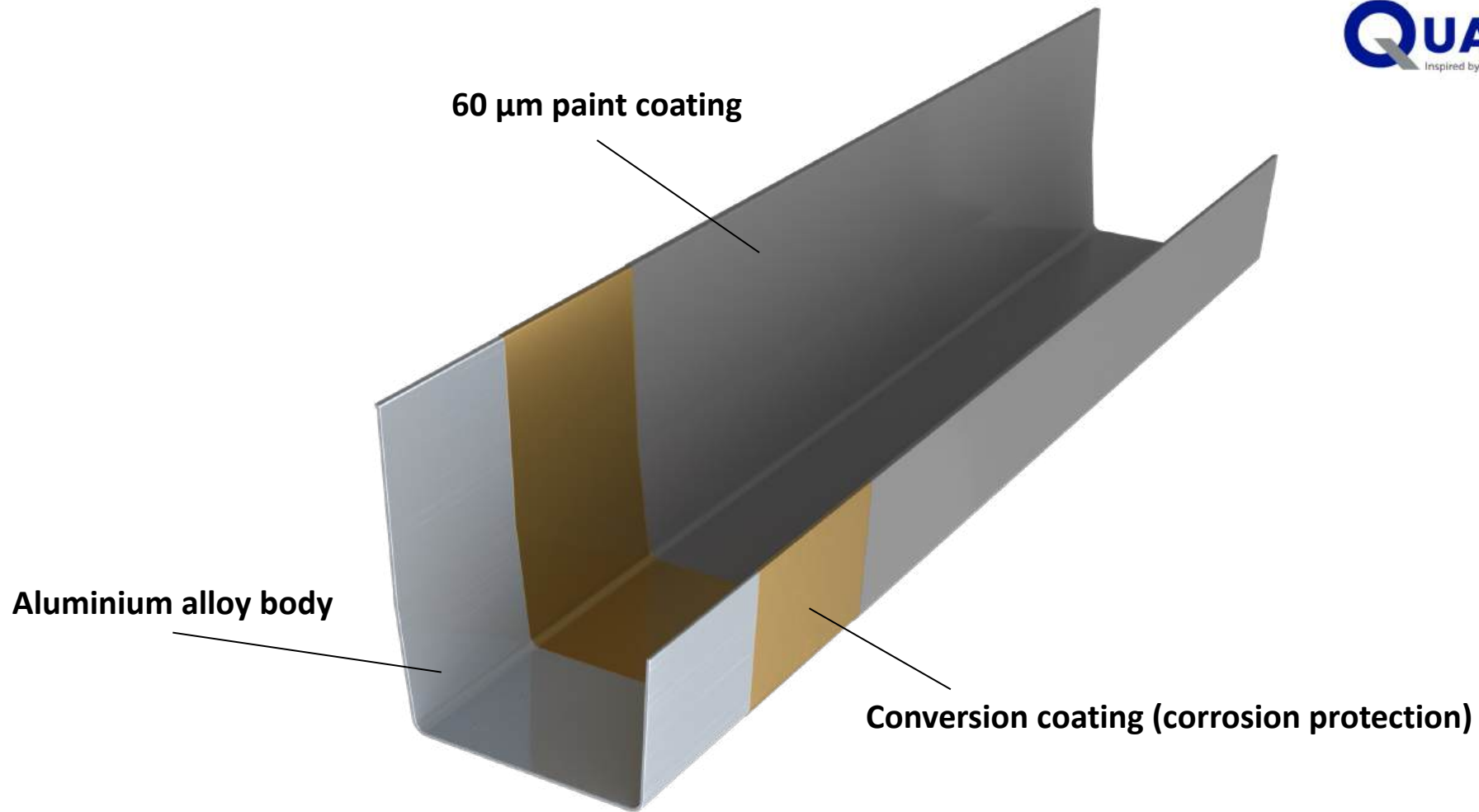
Downpipe installation

RK65 downpipes feature bell and spigot joints. **RK65 downpipe** system includes 87° and 67° offset bends.



Sloping the gutters at the required pitch

To adjust the pitch pull the gutter slightly out of the drip edge. The maximum elevation difference between the **RK65** guttering end points should not exceed 28 mm.



NOTES:

All components of Renoplast **RK65** box gutter system are finished with Qualicoat approved conversion and topcoat coating system applied in our in-house paintshop.



QUALICOAT
Inspired by architecture, trusted by professionals
| SEASIDE |



Renoplast

www.renoplast.pl/en