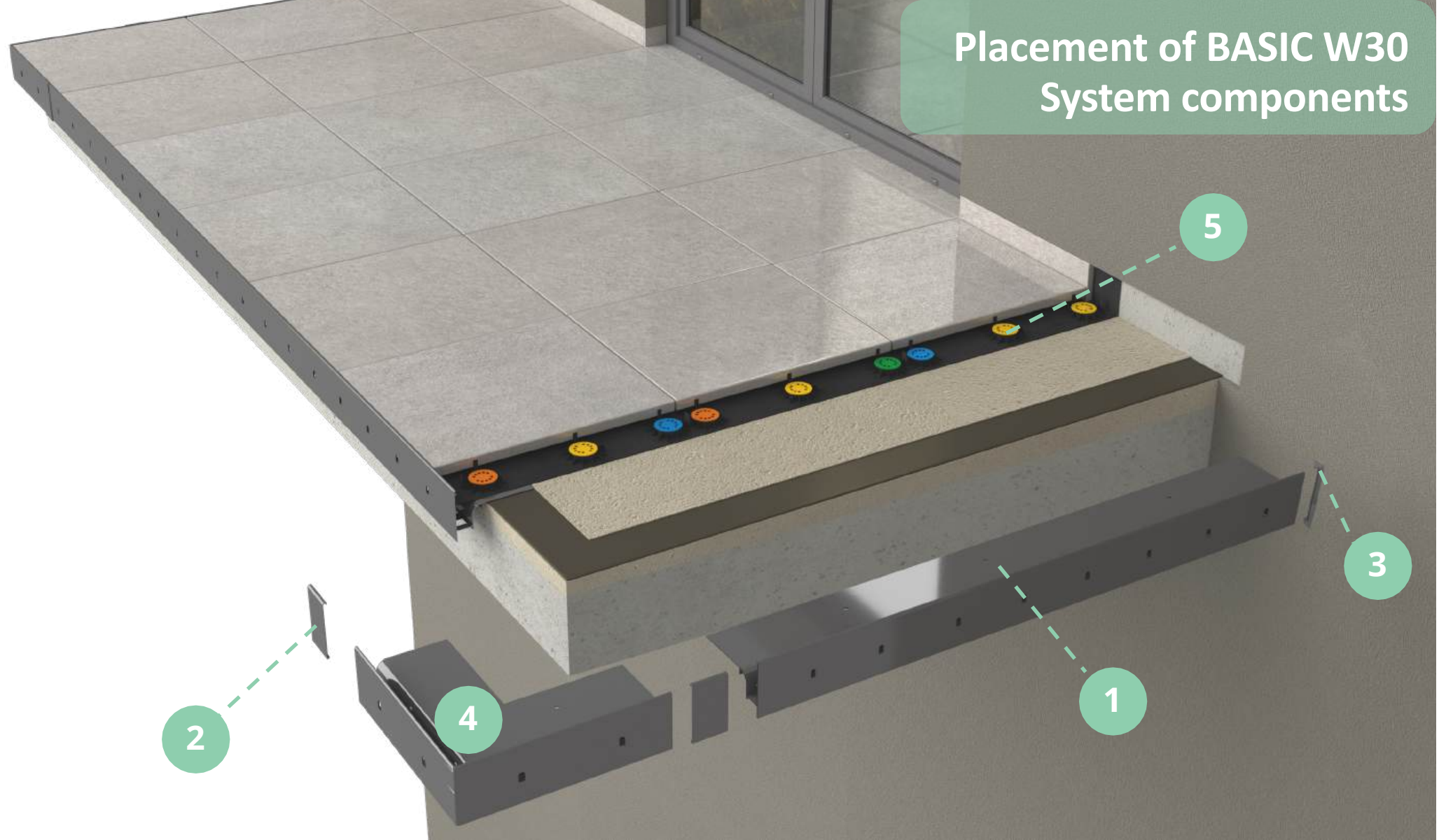


BASIC W30 system installation guide for balconies,
patios and terraces surfaced with porcelain pavers resting
on SMART pedestals



Placement of BASIC W30 System components



W30 drip edge
200 cm length

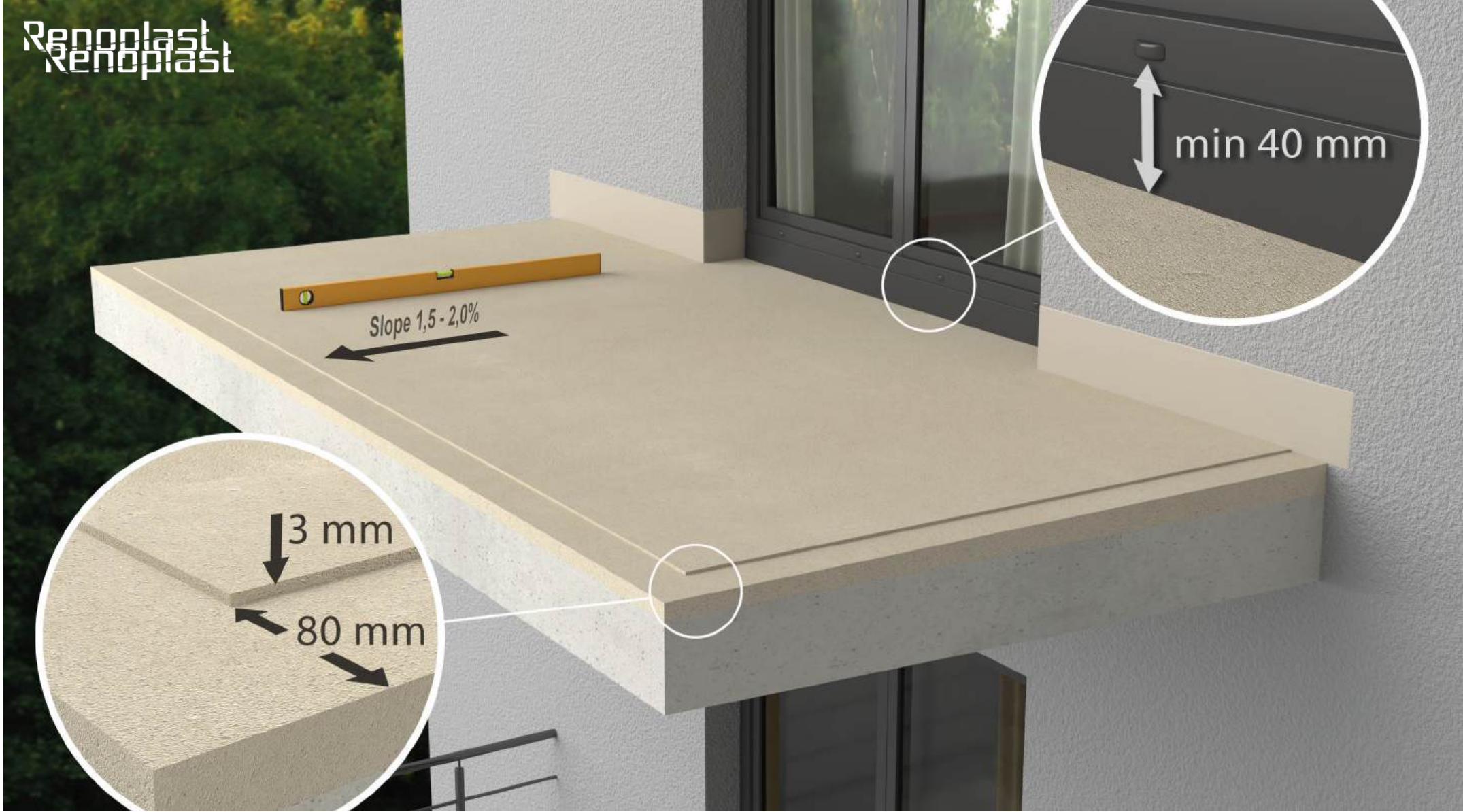
LW30/LW30R PLUS/
LW60/LW63
drip edge clip

OPW30/OPW30R PLUS/
OPW60/OPW63 R+L
wall protection end caps

W30 90
external corner

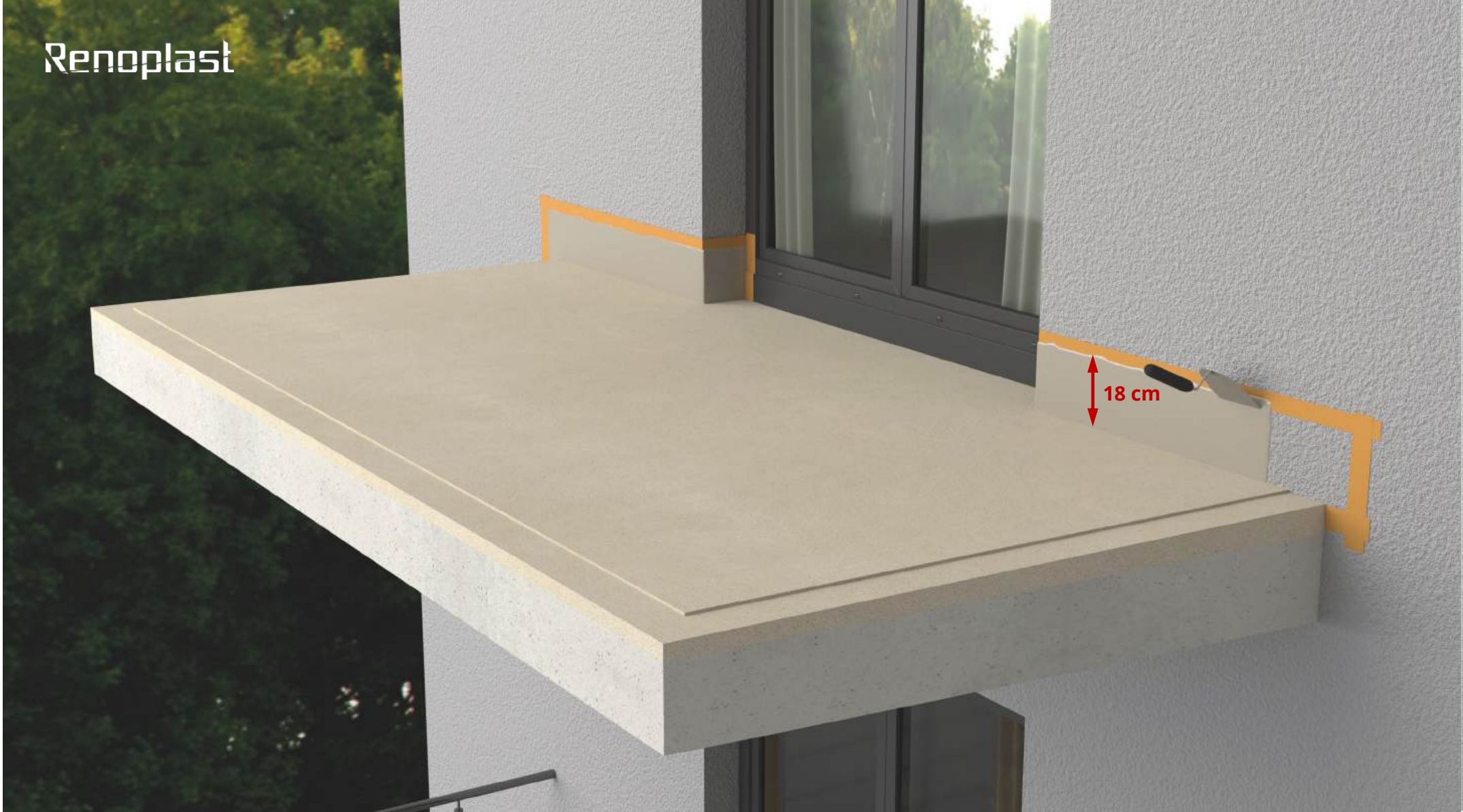
SMART
pedestals





Balcony/terrace floor screed

The floor screed should be structurally sound and even, sloping 1.5 – 2% towards the balcony/terrace front edge. Along the balcony/terrace edge a 3 mm deep by 80 mm wide recess should be made in the screed to allow setting the drip edge flush with the screed top surface.



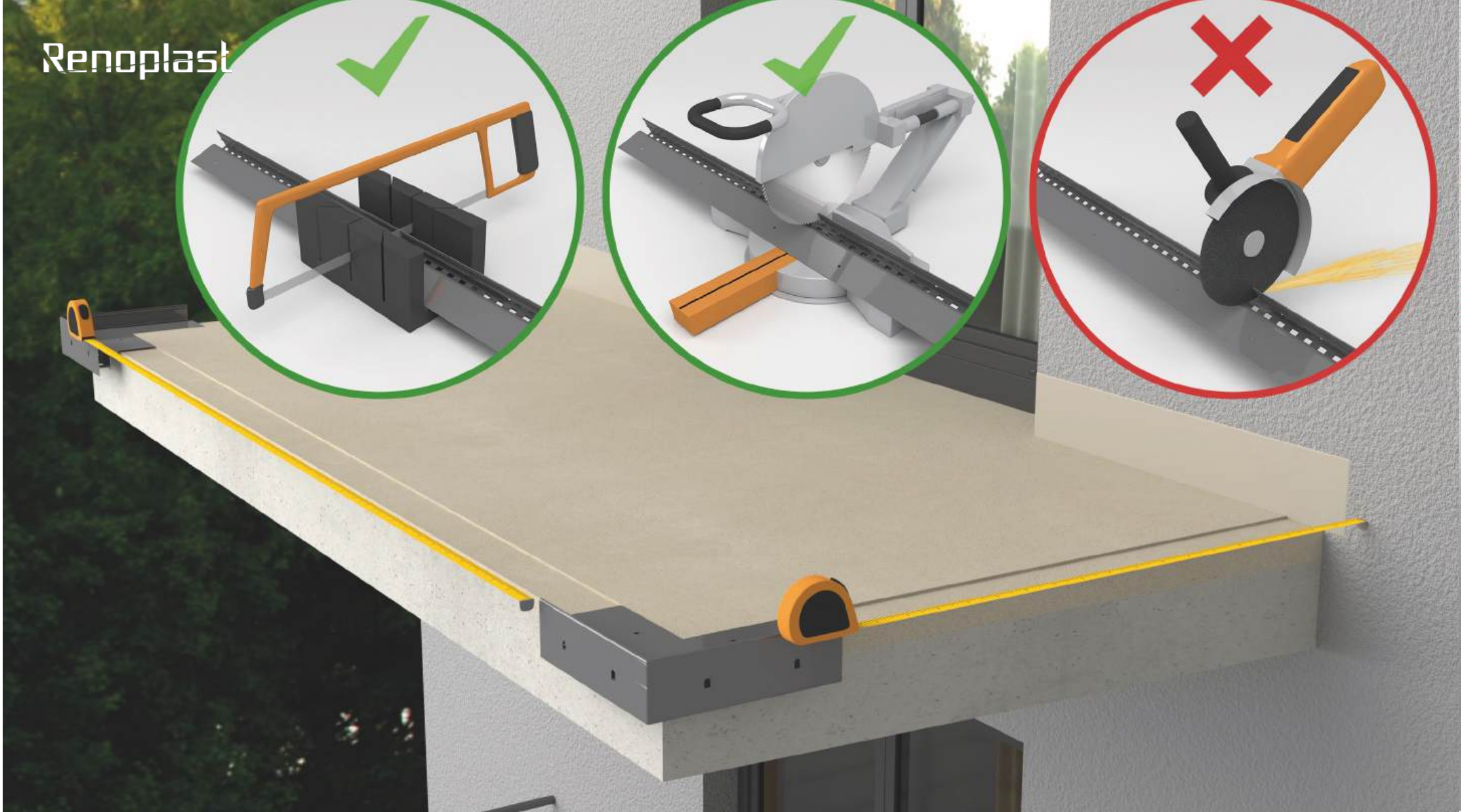
Smoothing the wall for membrane upstand installation

An appropriate smoothing compound should be applied over 18 cm wide strip (15 cm above finished floor level) to provide smooth and sound substrate for bonding the waterproofing membrane upstand.



Pre-fitting W30 90 external corners

Start the installation by pre-fitting the external corners using the supplied plastic wall plugs.



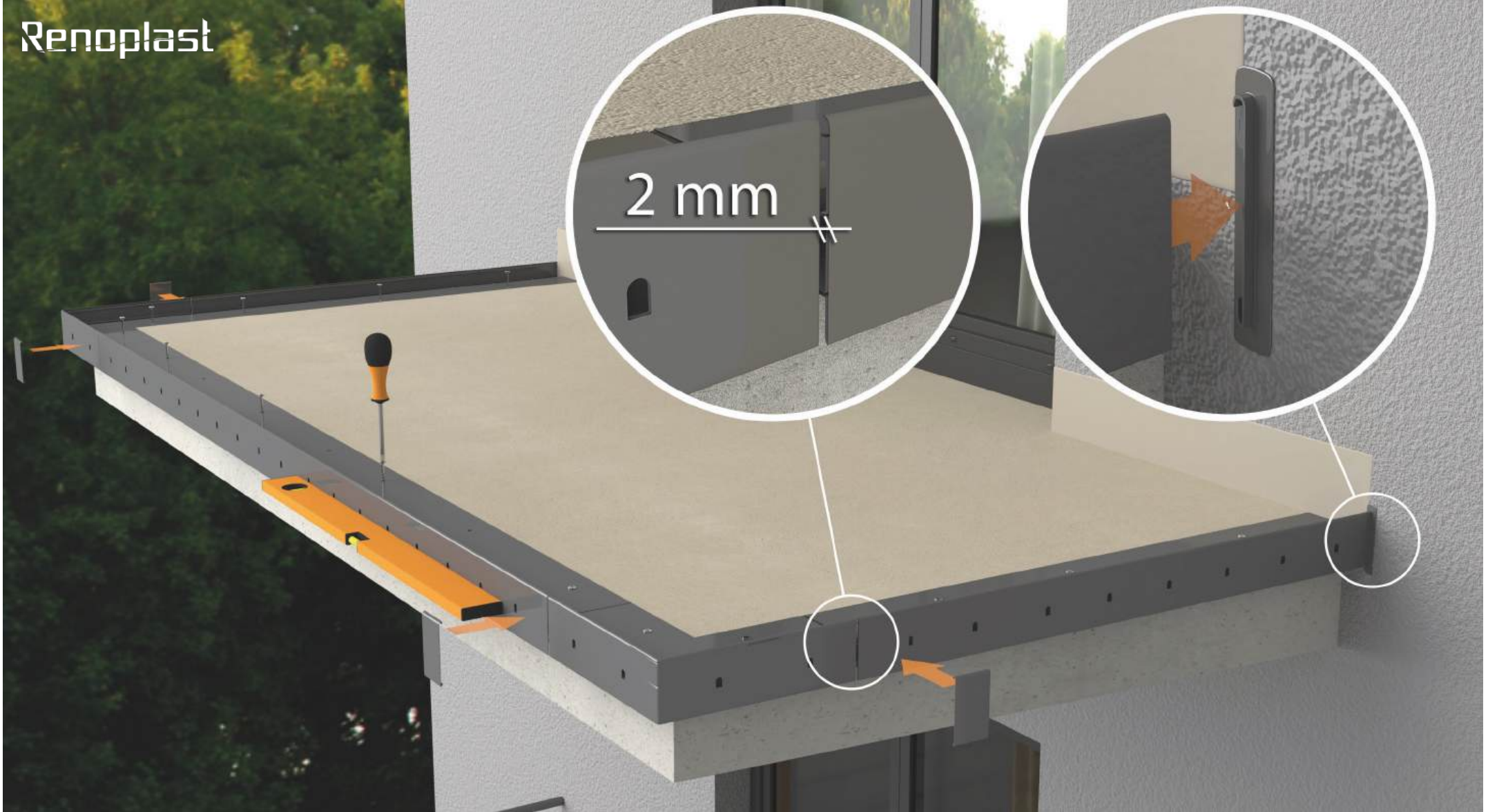
Preparation of W30 drip edges

Measure straight lengths to cut the straight sections to the required length. Allow for ca. 2 mm wide expansion joints between adjacent drip edging sections. At walls leave sufficient space for fitting **OPW30/OPW30R PLUS/OPW60/OPW63 wall protection end caps**. For cutting use a metal handsaw or a circular saw equipped with an aluminium cutting disc. Other tools may damage the paint coat, which is considered unacceptable.



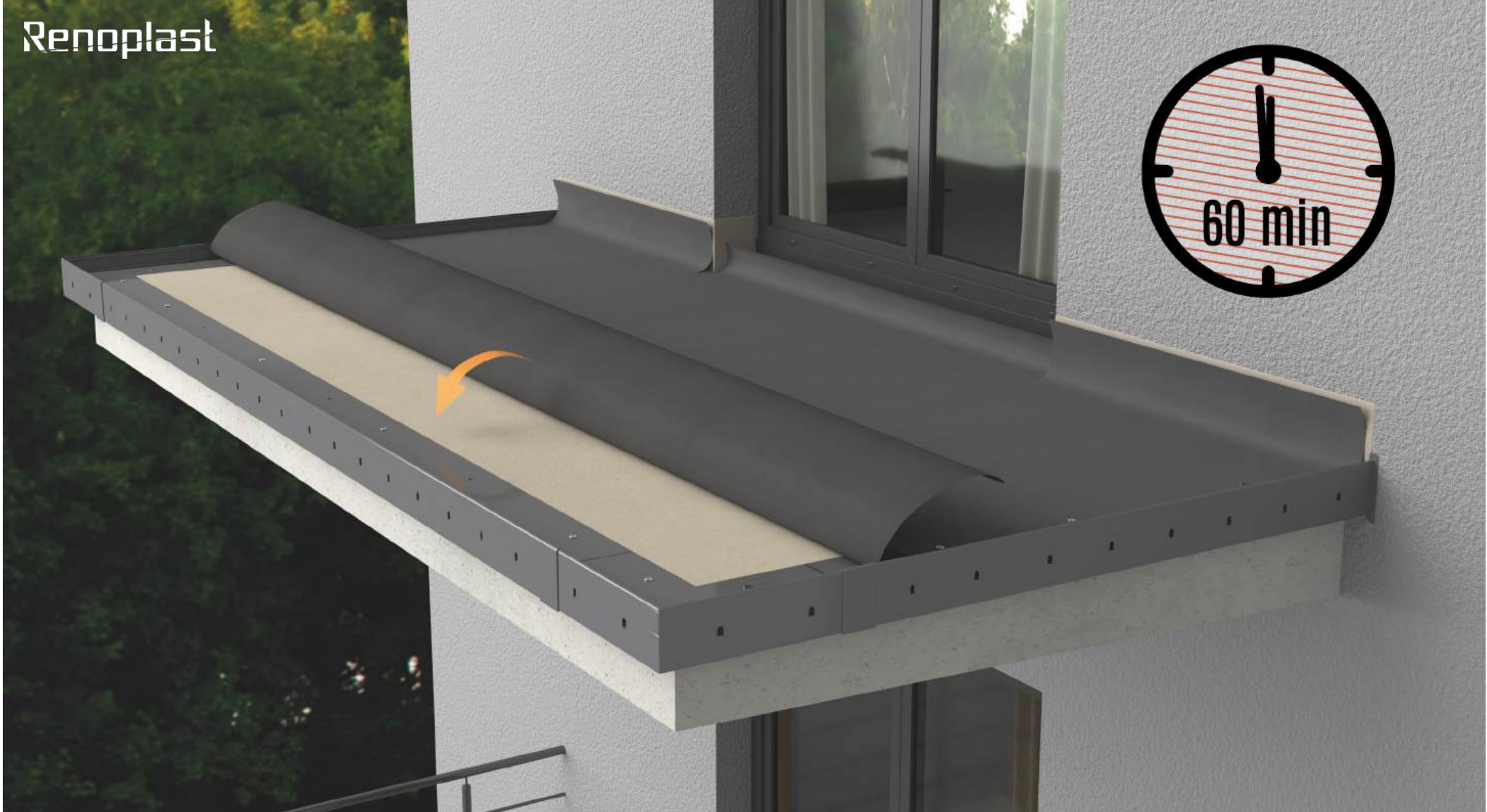
Fixing of W30 90 external corners

External corners should be bedded on elastic (such as polyurethane) sealant and fixed with the pre-installed plastic plugs.



Preparation of W30 drip edges

Straight sections are fitted in the same way as corner pieces. Use a string line stretched between adjacent corners and a spirit level to ensure straight and level alignment.



Renoplast EPDM membrane installation - preparation

Lay out the **Renoplast EPDM membrane** over the base and leave the membrane to relax for about 60 minutes to allow it expand naturally and remove any creases. Next cut the membrane to size, adding the drip edge bonding strip, wall upturns and laps between adjacent strips.



Bonding Renoplast EPDM membrane to substrates

For bonding **Renoplast EPDM membrane** to substrates use **RENOSTICK RS 10**. Apply the adhesive around the **Renoplast EPDM membrane** perimeter over a 20 cm wide strip, over the entire upstand width and onto the mating surfaces of **W30 drip edges** and **W30 90 external corners**. Apply the adhesive on both the membrane and on the substrate. Wait for ca. 5-15 minutes and then press the membrane against the substrate with a hand roller.



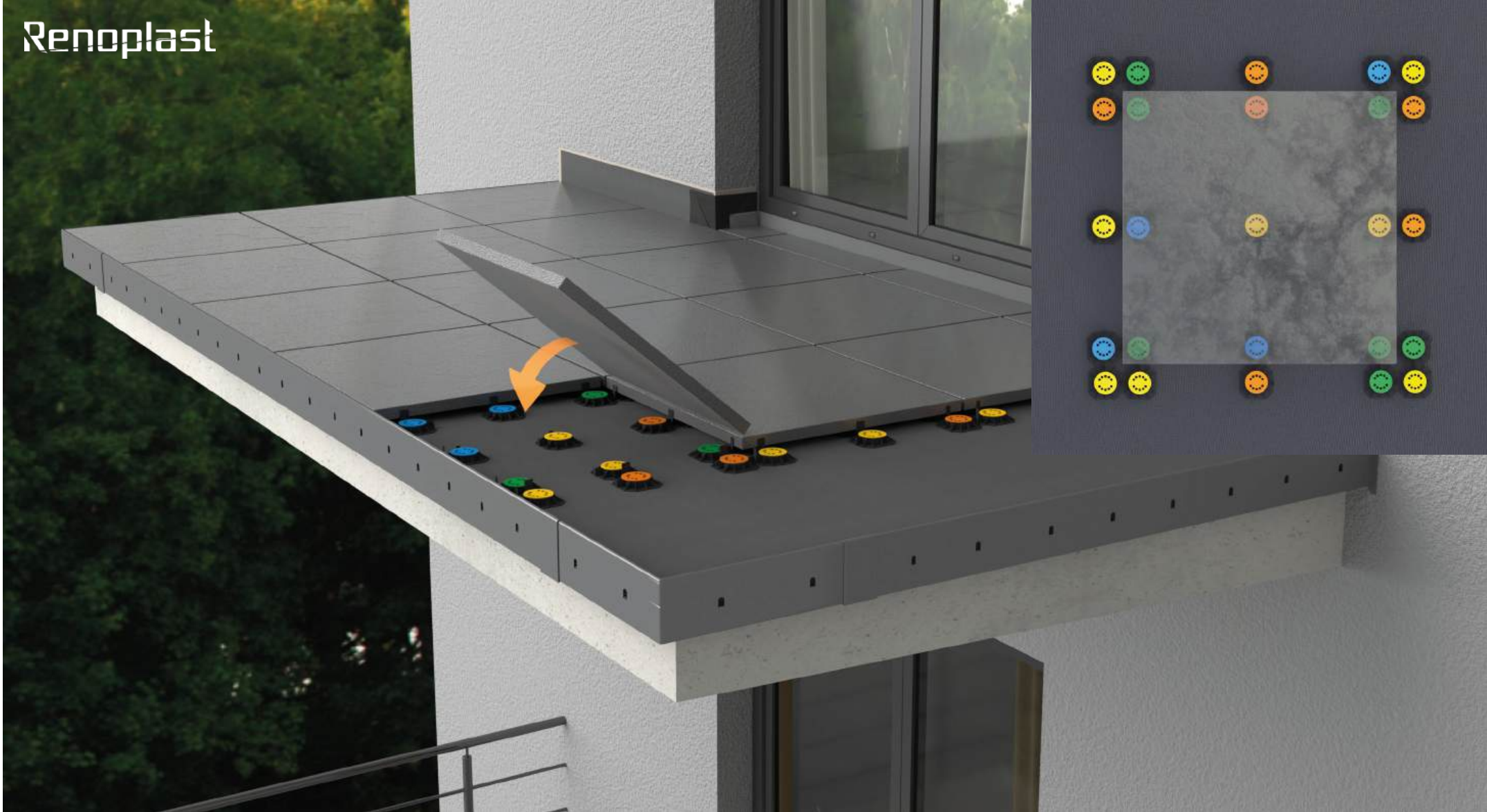
Sealing of Renoplast EPDM membrane joints

Upturn a ca. 2 cm wide strip along the membrane edges, apply flexible sealant and press firmly the membrane against the substrate until the sealant starts to squeeze out. Remember to seal both the membrane laps and drip edge joints.



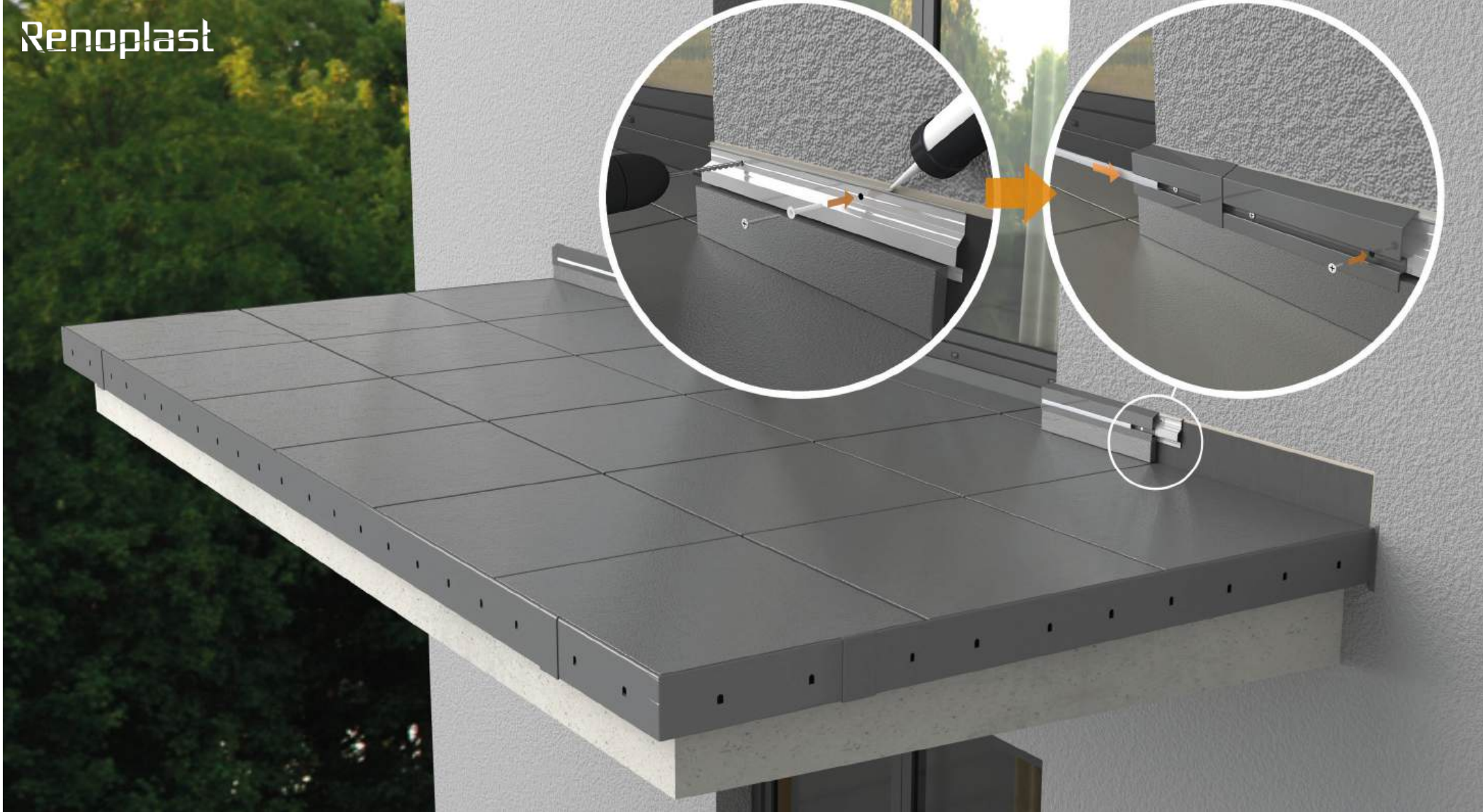
Sealing of doorway and doorsill joints

At bottom doorway corners fit preformed **EPDM external corners**. Use **RENOSTICK RS 10** for bonding the corners and then apply adhesive sealant at joints. The joint between **Renoplast EPDM membrane** and doorsill edge should be sealed with mesh reinforced **self-adhesive EPDM tape with butyl strip**.



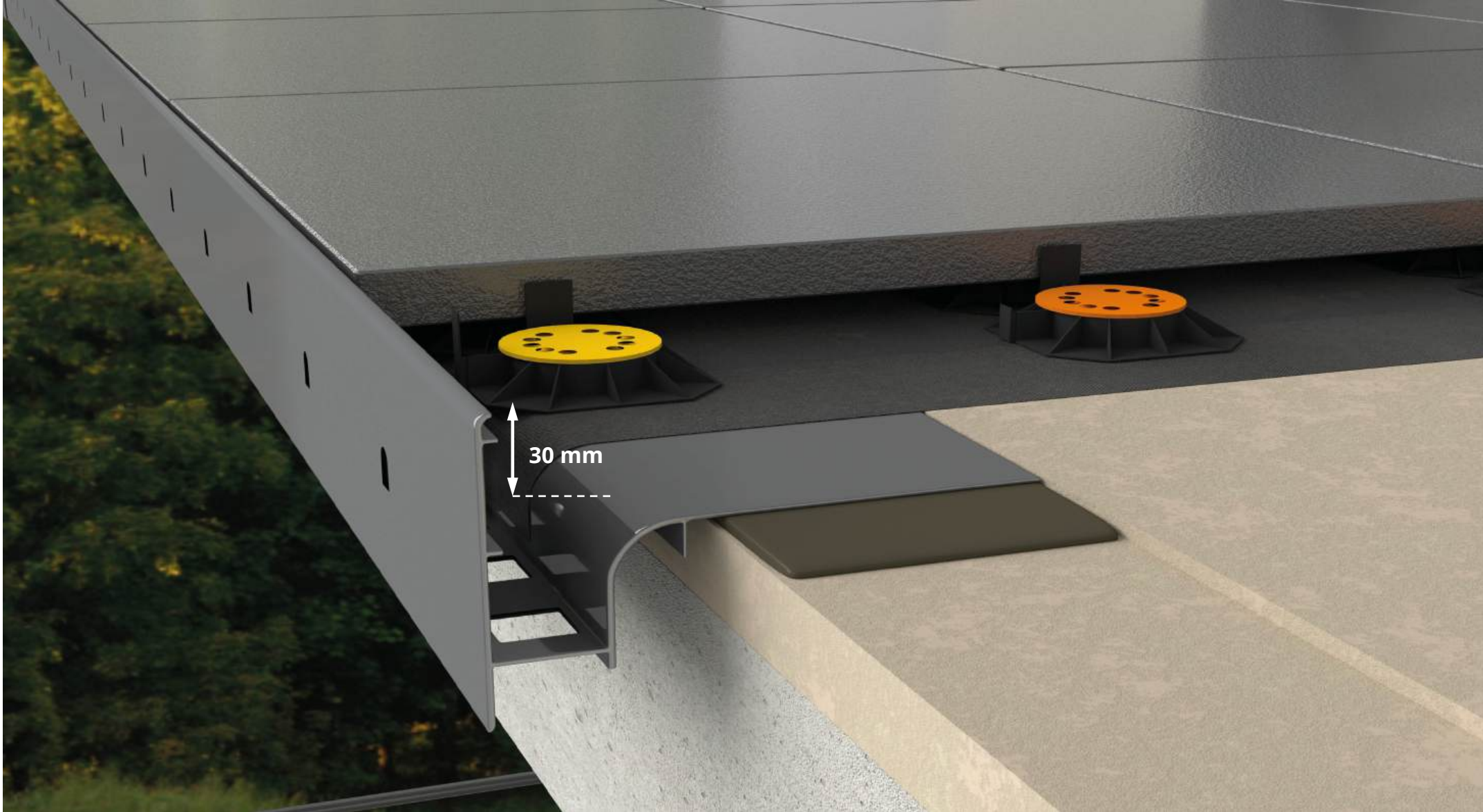
Paving with the use of SMART pedestals

Porcelain pavers are placed on **SMART** pedestals. The layout of pedestals should be appropriate to the size of the chosen pavers. The picture above shows an example layout of support points of pedestal floor made of 60x60 cm slabs. Use **0.5**, **1**, **2** and **3** mm thick levelling discs to level out base depressions.



C1/C2 skirting installation

Start by mechanically fixing the **C1** base rail to the wall at the membrane upstand top edge level as the membrane termination bar. Along the top edge of **C1** base rail apply elastic polyurethane sealant and lay skirting tiles. Next snap the **C2** top trim, including corners and clips. Finish the skirting installation by inserting the plastic strip into the **C2** groove. LED strip may also be fitted in the **C1** skirting to illuminate the floor.



NOTES:

W30 drip edge has a 30 mm high upstand along the front edge, corresponding to standard thickness of porcelain pavers laid on **SMART** pedestals. In **W30** drip edges the drain holes are positioned below the waterproofing layer to ensure efficient drainage of water balcony/terrace floors. Since the drain holes may get clogged over time, emergency overflows have been provided on the front upstand to alert the user. In addition, the front upstand restrains the floor pavers.



QUALICOAT
Inspired by architecture, trusted by professionals
| SEASIDE |



Renoplast

www.renoplast.pl/en