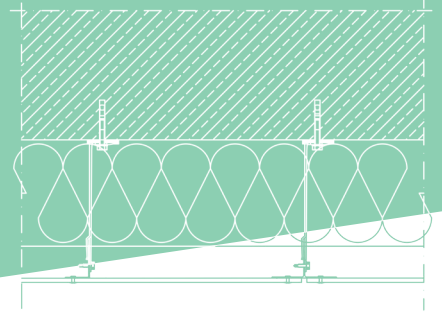


## RAINSCREEN SUBFRAME

RENOVENT is a rainscreen aluminium subframe designed to support fibre cement or HPL cladding panels. It is suitable for both outdoor and indoor use.



## KEY FEATURES

- very light subframe for wall cladding panels
- high corrosion resistance
- equipped with thermal breaks to minimise thermal bridges in both indoor and outdoor applications
- covered by Polish ITB's national technical approval

## INSTALLATION TOOLS

Spirit or laser level, string line (monofilament or rope), percussion drill, drill driver, rivet gun, aluminium cutting saw.

## RAINSCREEN SUBFRAME COMPONENTS



150x75x55 mm  
SLIDING POINT BRACKET



200x75x55 mm  
SLIDING POINT BRACKET



240x75x55 mm  
SLIDING POINT BRACKET



78x58 mm  
THERMAL BREAK FOR  
SLIDING POINT BRACKET



105x58 mm  
THERMAL BREAK FOR  
FIXED POINT BRACKET



150x100x55 mm  
FIXED POINT BRACKET



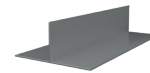
200x100x55 mm  
FIXED POINT BRACKET



240x100x55 mm  
FIXED POINT BRACKET



60x45 mm  
L-PROFILE RAIL



120x50 mm  
T-PROFILE RAIL

## BASE

External or internal walls of reinforced concrete or masonry construction and any other strong mineral structures.

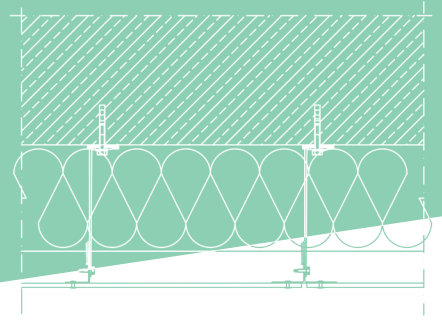
## INSTALLATION

Layout of brackets should be given in the building thermal insulation plans, taking into account the rainscreen load distribution pattern. For fixing the brackets to the wall choose wall plugs adequate to the substrate type. Follow the installation guide available at: <https://www.youtube.com/watch?v=ZijhTLfQAJk&t=1s>.

SEE PRODUCT →

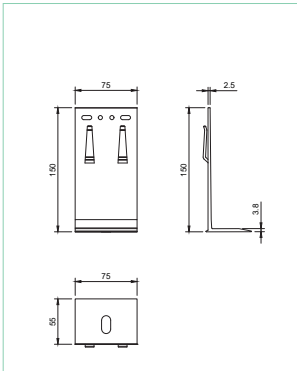


RENOVENT is a rainscreen aluminium subframe designed to support fibre cement or HPL cladding panels. It is suitable for both outdoor and indoor use.

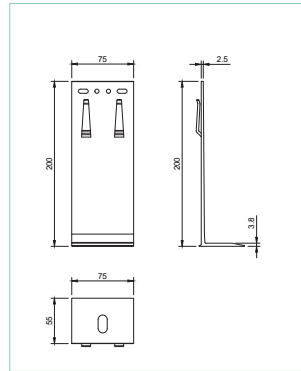


### DIMENSIONS

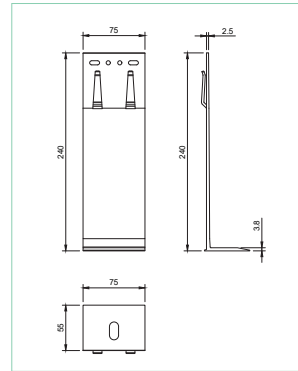
#### CROSS-SECTIONS:



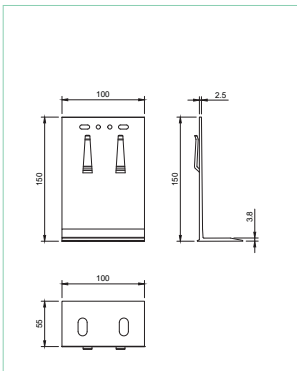
**150x75x55 mm  
SLIDING POINT BRACKET**



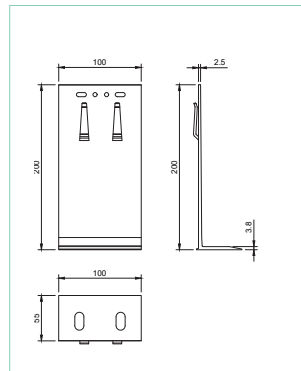
**200x75x55 mm  
SLIDING POINT BRACKET**



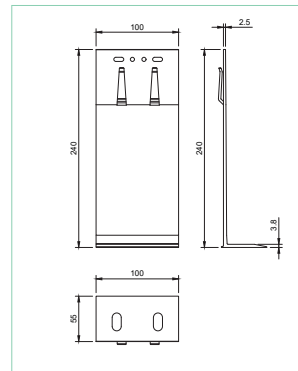
**240x75x55 mm  
SLIDING POINT BRACKET**



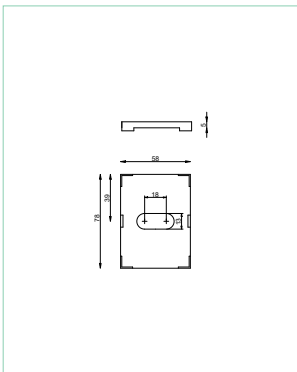
**150x100x55 mm  
FIXED POINT BRACKET**



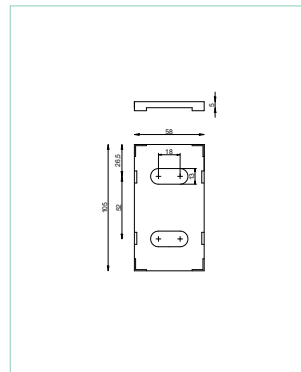
**200x100x55 mm  
FIXED POINT BRACKET**



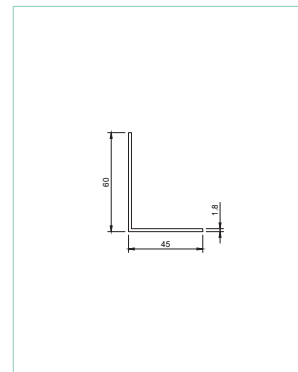
**240x100x55 mm  
FIXED POINT BRACKET**



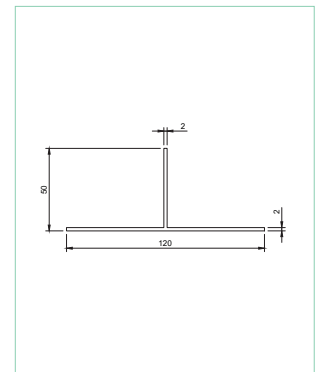
**78x58 mm  
THERMAL BREAK FOR  
SLIDING POINT BRACKET**



**105x58 mm  
THERMAL BREAK FOR  
FIXED POINT BRACKET**



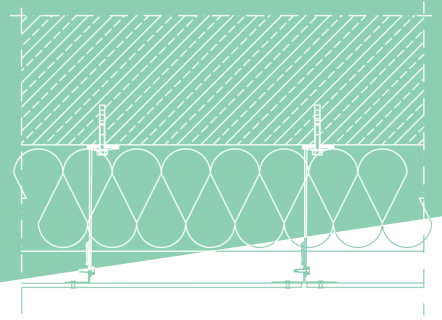
**60x45 mm  
L-PROFILE RAIL**



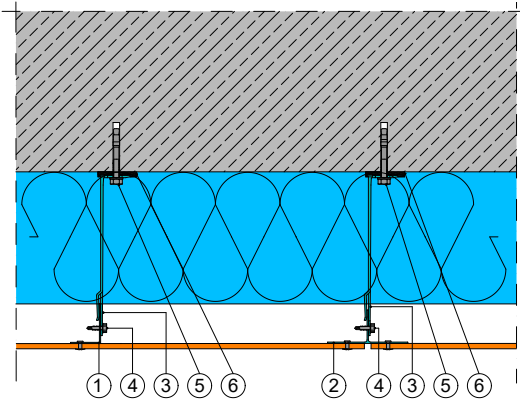
**120x50 mm  
T-PROFILE RAIL**

## RAINSCREEN SUBFRAME

RENOVENT is a rainscreen aluminium subframe designed to support fibre cement or HPL cladding panels. It is suitable for both outdoor and indoor use.



## INSTALLATION EXAMPLE



1. 60x45x1.8 mm L-profile rail
2. 120x50x2.0 mm T-profile rail
3. Sliding/fixing bracket
4. 4.8x19 mm self-drilling fastener
5. Mechanical fixing to substrate
6. Thermal break

**Notes:**

Edition: 4.05.2026. This product brochure supersedes all previous editions. It gives recommendations for standard application conditions only, and thus shall not be used in place of installation drawings. Suitability of our products for particular conditions should be verified by the contractor. The actual product specifications may vary slightly due to allowable process or tool dimension changes. Any materials used in combination with Renoplast products must be obtained from reputable sources. Our liability for any omissions or inaccuracies of the data given in this brochure is limited to gross disinformation and/or negligence.

