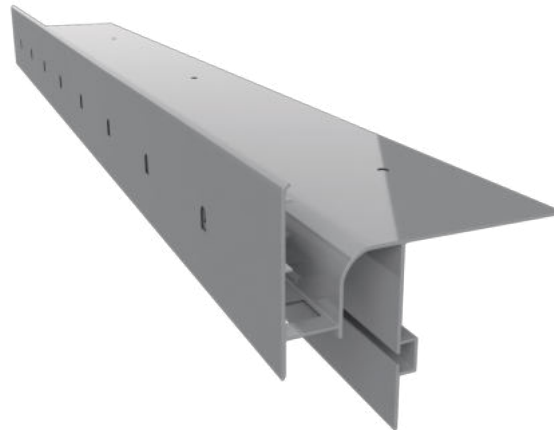


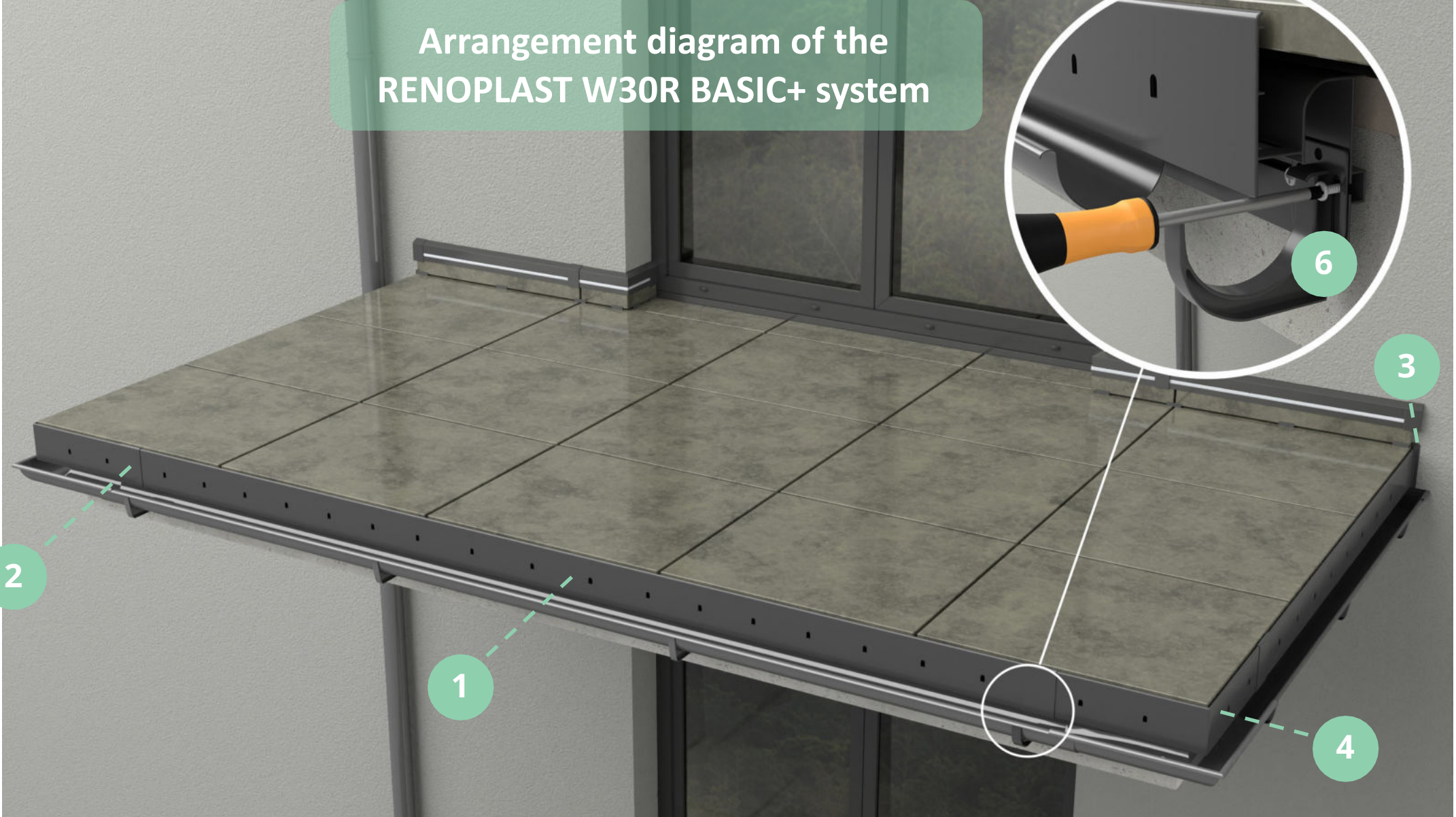
Brief instructions for constructing a balcony/terrace using the

RENOPLAST W30R BASIC+

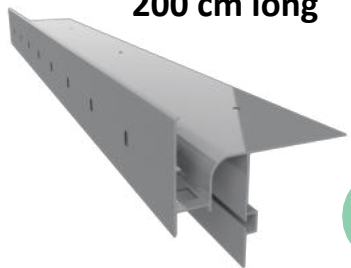
with ceramic tile flooring on SMART pedestals



Arrangement diagram of the RENOPLAST W30R BASIC+ system



**Straight profile W30R,
200 cm long**



1

**Connector
LW30R**



2

**Odbojnik OPW30R
(lewy/prawy)**



3

**end stops OPW30R
(left/right)**



4

**SMART
pedestal**



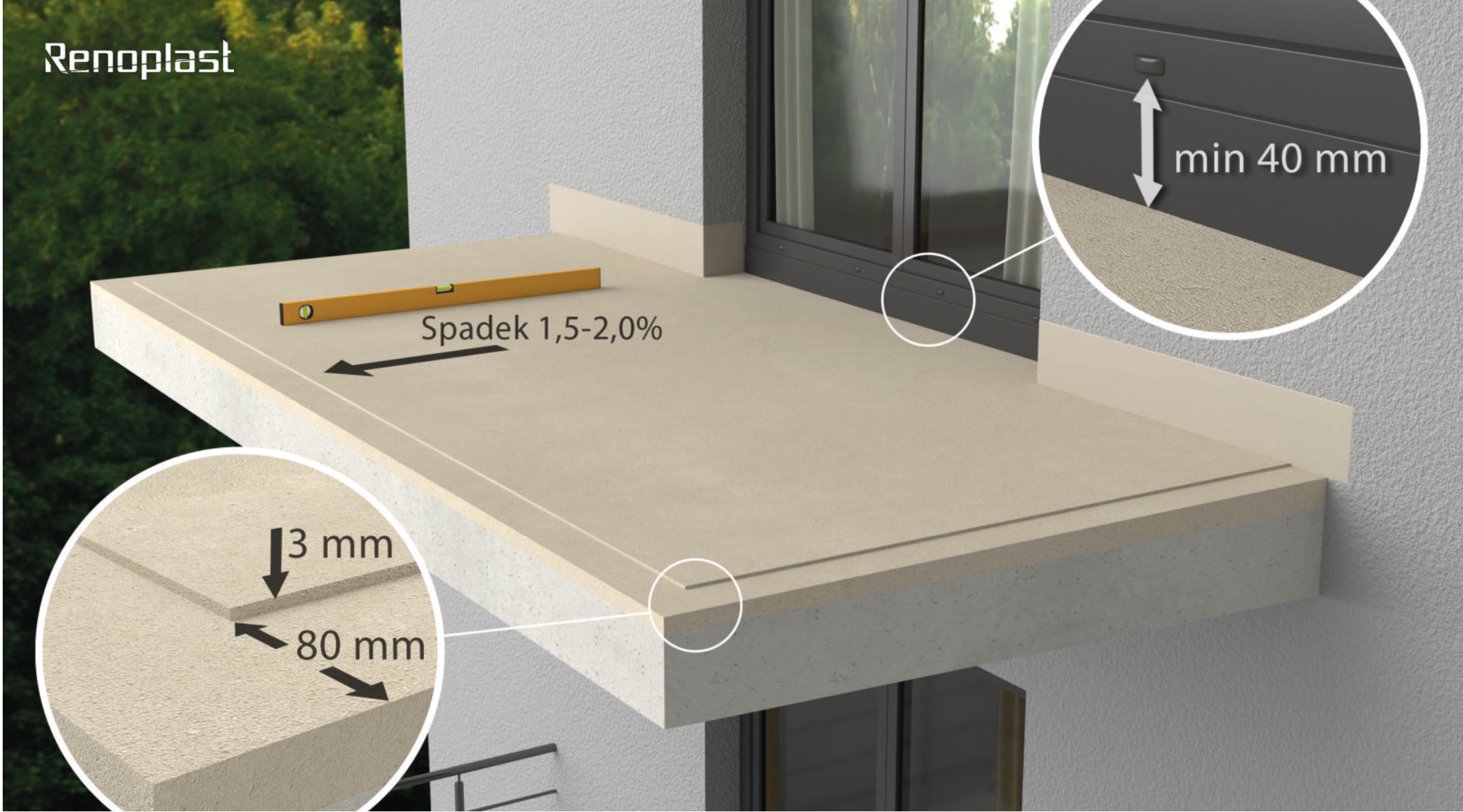
5

**Gutter hook
G75**



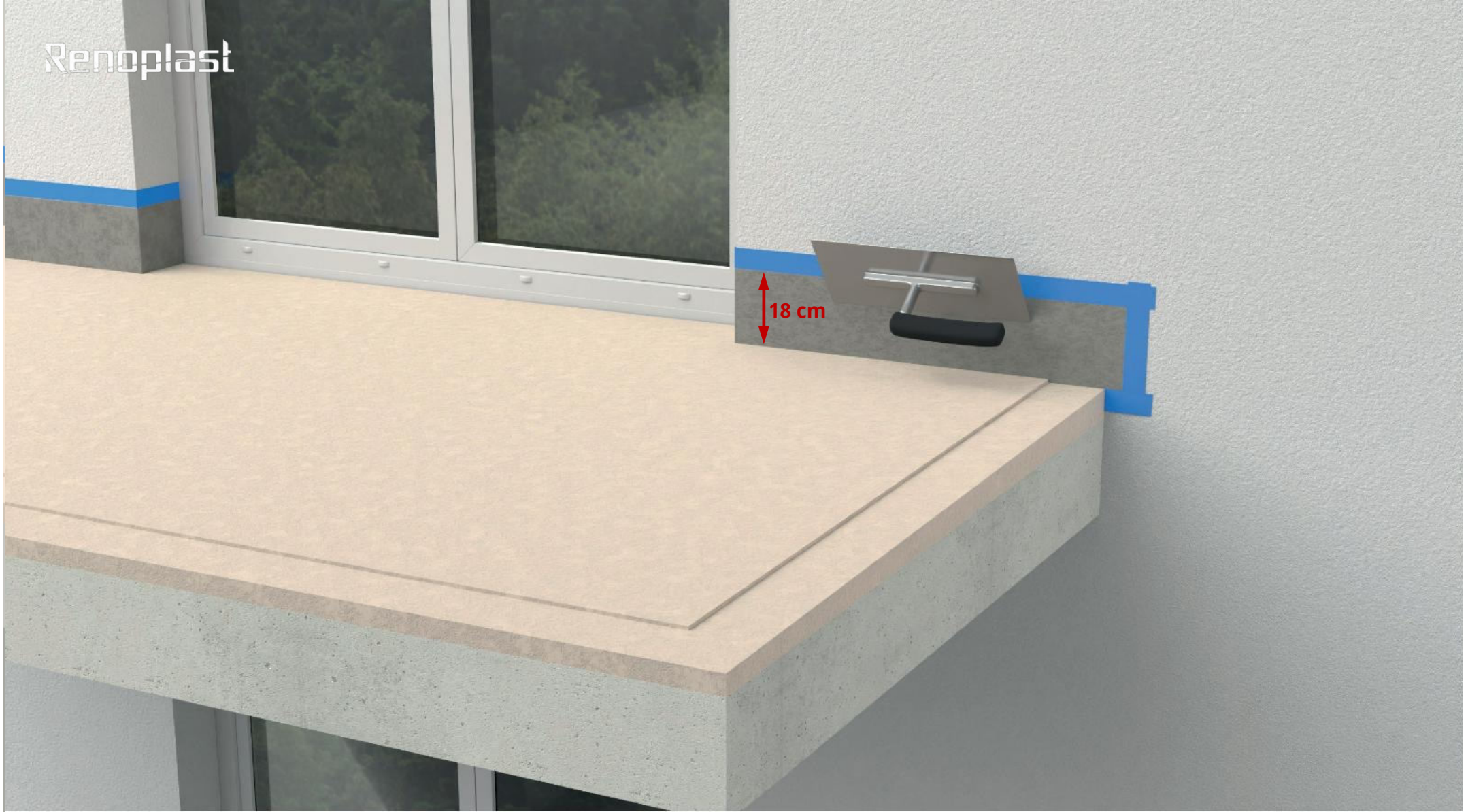
6

Renoplast



Balcony/terrace floor bases

The base should be even and load-bearing with a slope of 1.5 - 2 % towards the front edge. It is recommended that along the edge underlay on the width of the installed profile of 80 mm, lower the underlay to a depth of about 3 mm so that the installed profile was flush with the plane of the base.



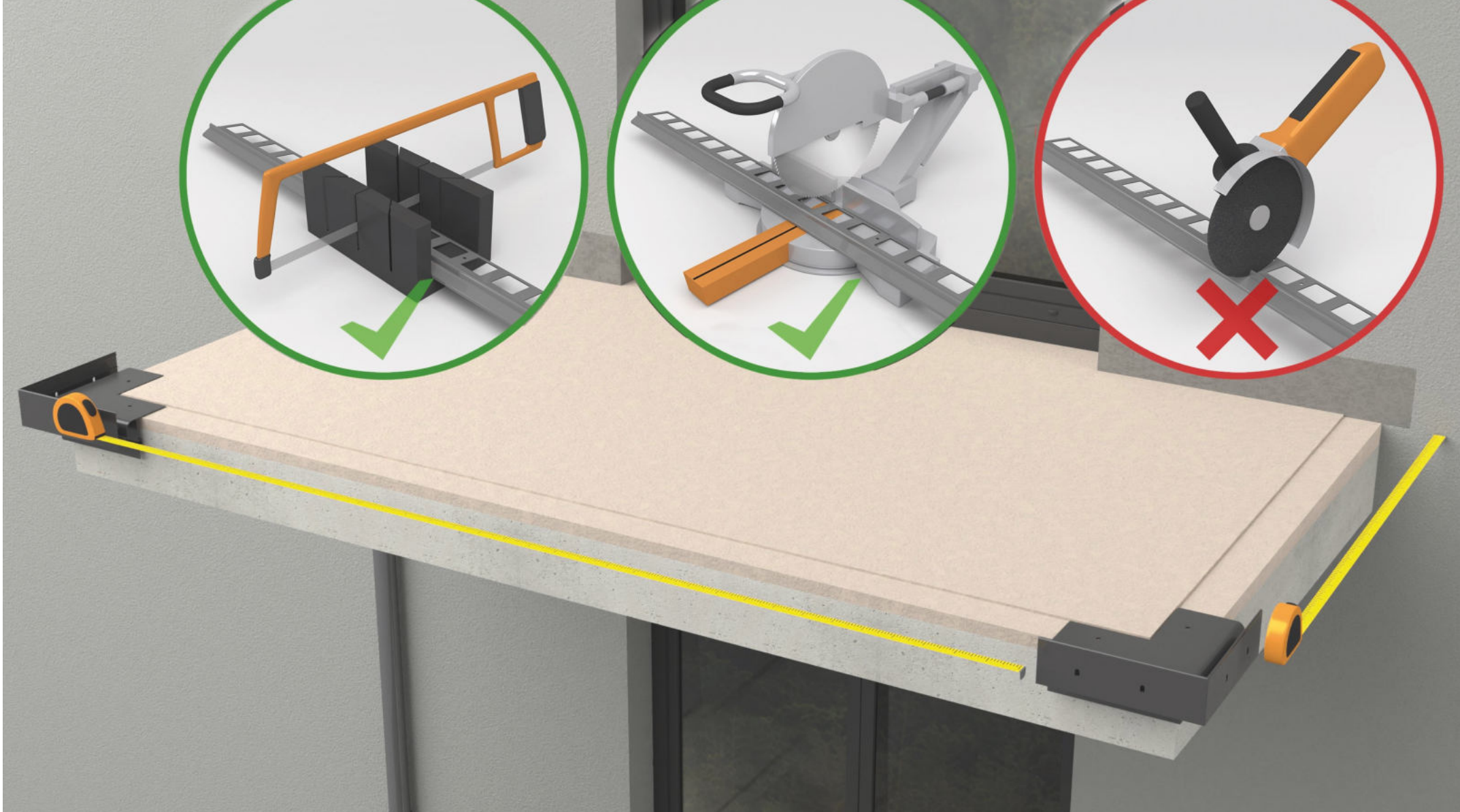
Base course for plinth insulation

The base for the insulation on the wall should be smooth and load-bearing. The subfloor should be prepared to a height of 18 cm (15 cm from the floor level).



Pre-assembly of NZ W30R/90 corners

We start the work with the initial fixing of the corners, using expansion bolts (expansion bolts included with the corner in the kit).



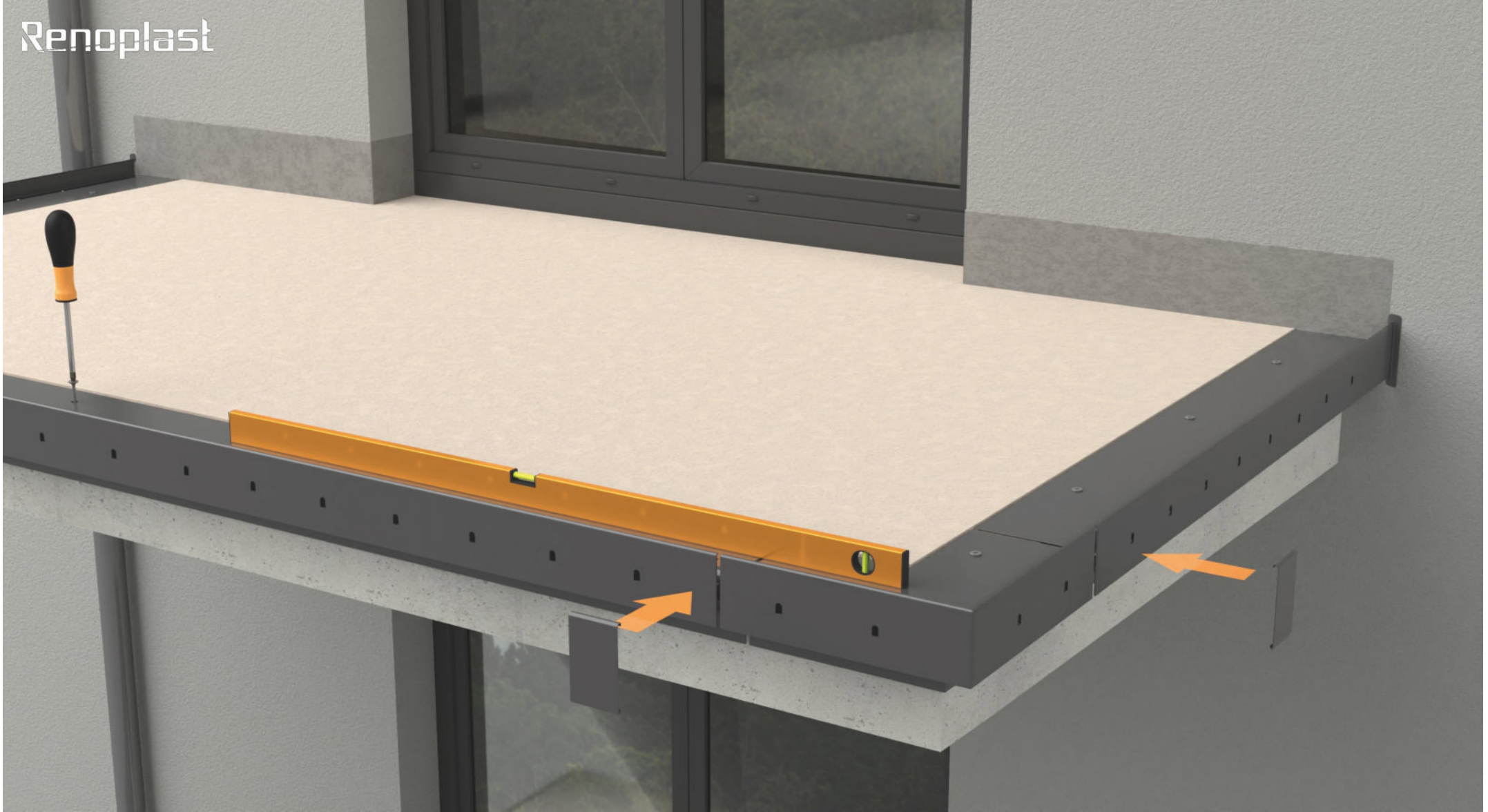
Preparation of straight profiles W30R

The next step is to measure the straight sections to prepare (cut) the straight profiles. The straight sections must be prepared in such a way as to leave expansion gaps of approx. 2 mm at the joints and a space of approx. 2 mm at the wall for the **OPW30R** end stop. The profiles should be cut with a hand-held metal saw or a mechanical saw with a suitable blade for cutting aluminium. Cutting with other tools may cause damage the paintwork, which is not acceptable.



Installation of NZ W30R/90 corners

The corners are placed on a flexible mass (e.g. polyurethane), and then mechanically fastened with the help of pre-installed expansion bolts.



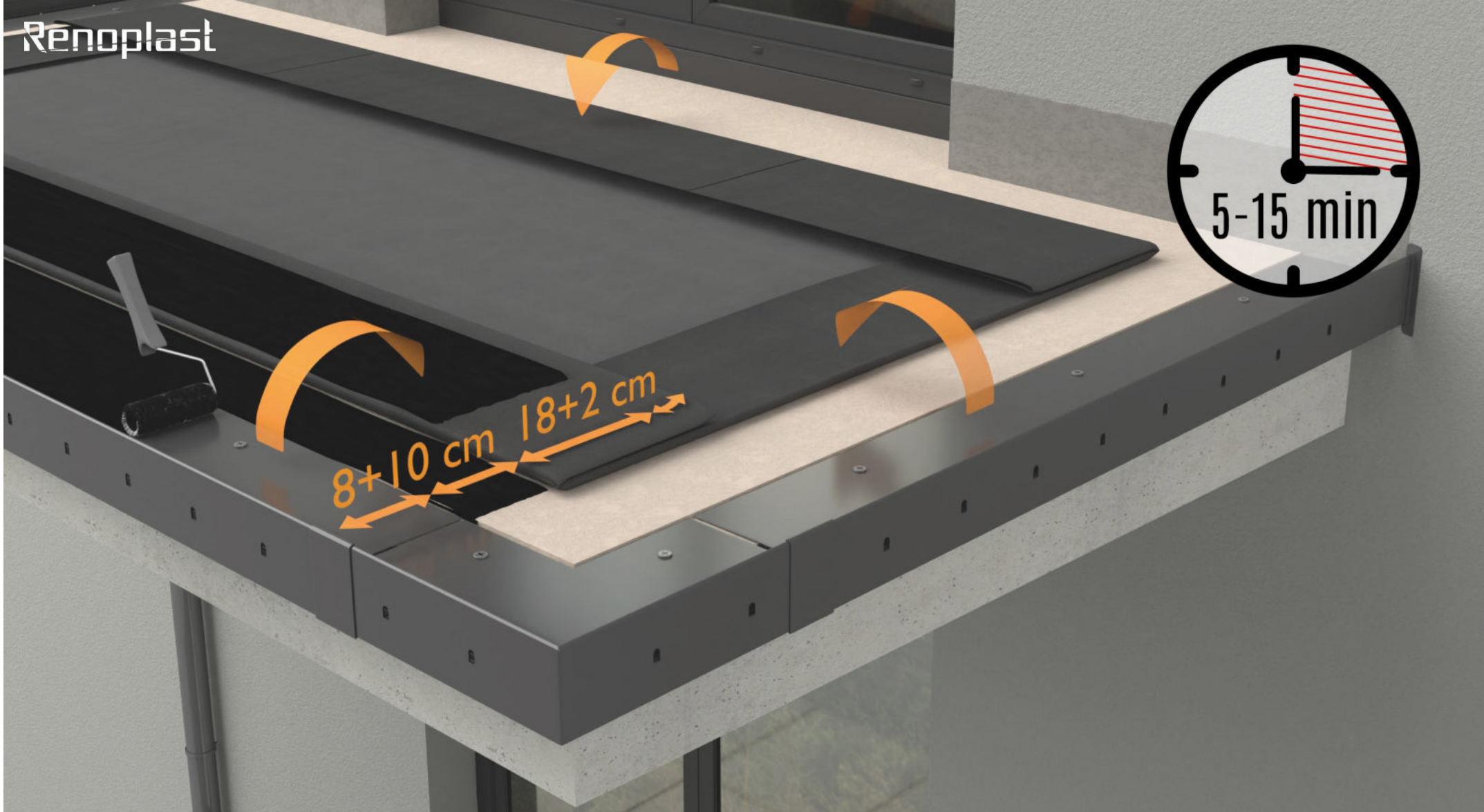
Installation of the W30R straight profiles

Straight profiles are set in the same way as corners. Using a string stretched between the corners and spirit level, we take care of their even assembly.



EPDM membrane insulation - preparation

The **EPDM membrane** is spread on the surface of the subfloor, leaving it for approx. 60 minutes to expand and remove the bends formed during transport. The **EPDM membrane** is then cut to size, taking into account the surface to be bonded to the profiles, the overlaps between the sheets and the wall.



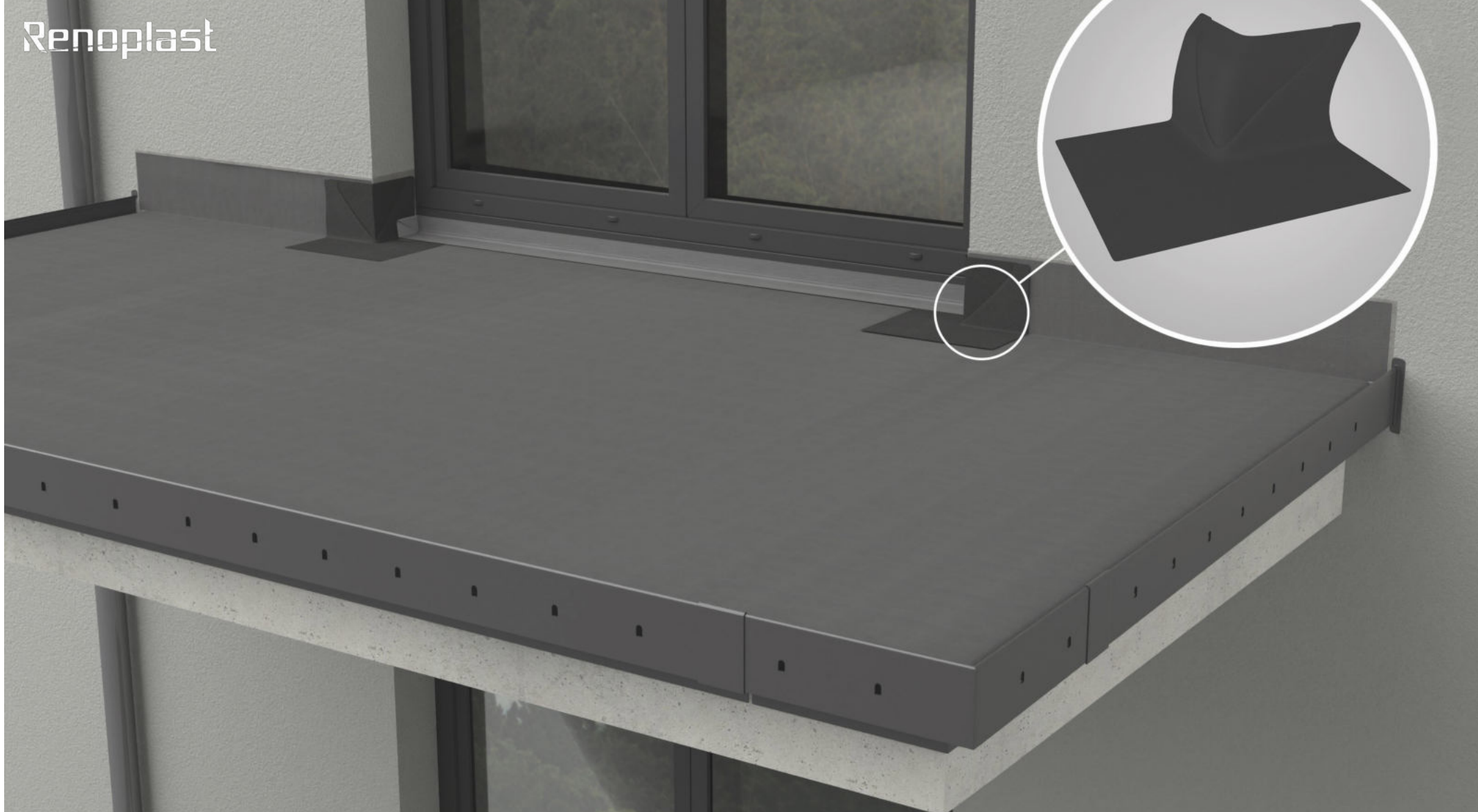
Adhesion of the EPDM membrane to the substrate

The **EPDM membrane** is glued with **KS137** adhesive to the substrate circumferentially over a width of 20 cm, over the entire width of the plinth and surface of **W30R** profiles and **NZ W30R/90** corners. The adhesive is applied to both the substrate and the membrane. Connection membranes with the substrate are made after about 5-15 minutes, pressing the membrane with a roller over the entire joint surface.



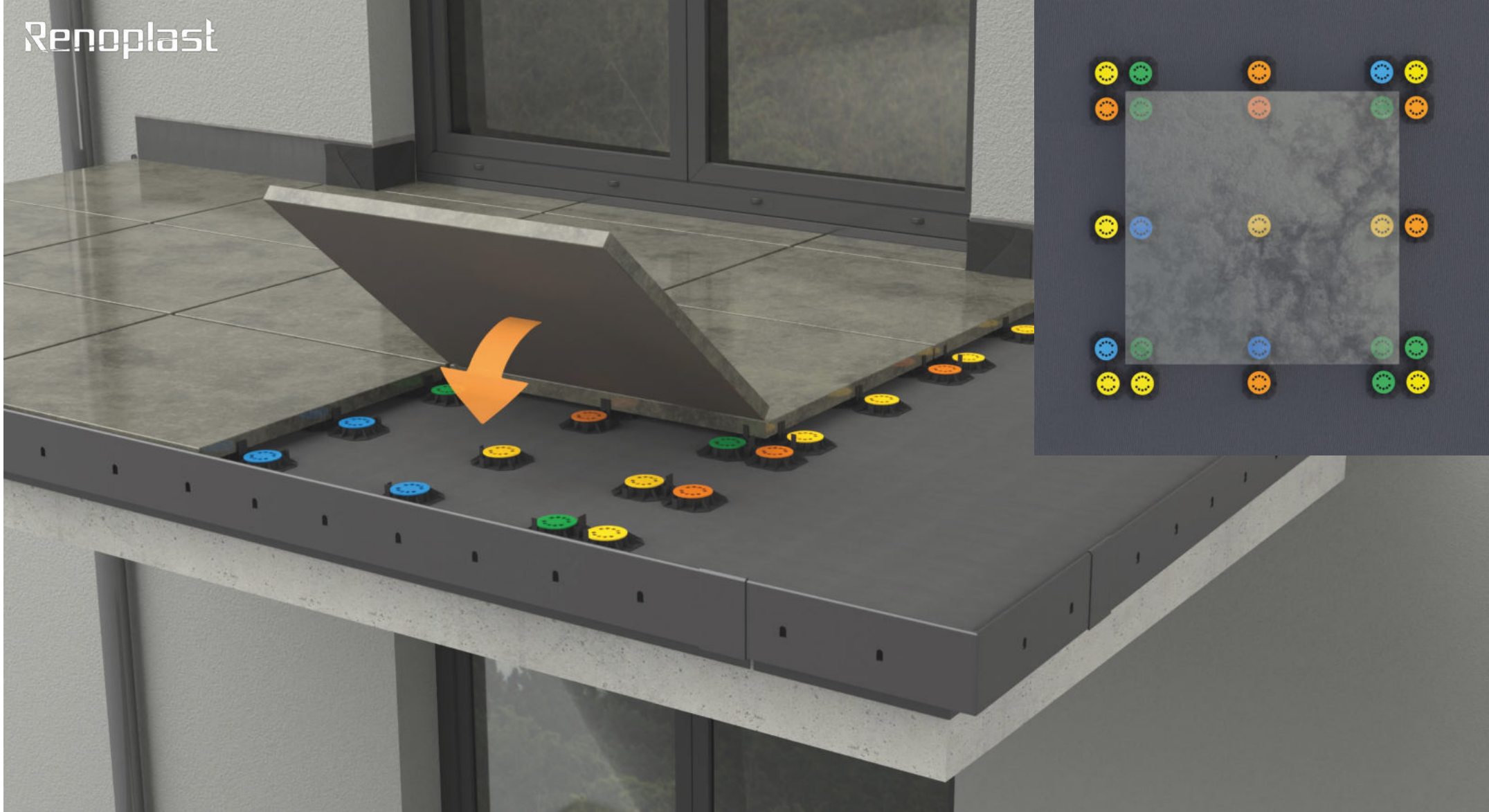
Sealing the EPDM membrane joints

Along the edge of the **EPDM membrane**, roll off the membrane 2 cm wide and apply elastic sealant **KS96**. The sealant is then pressed with a roller so that the sealant flows out from under the edge of the membrane. The sealant should be applied to both the folds of the membrane and the connection to the **W30R** eave profile.



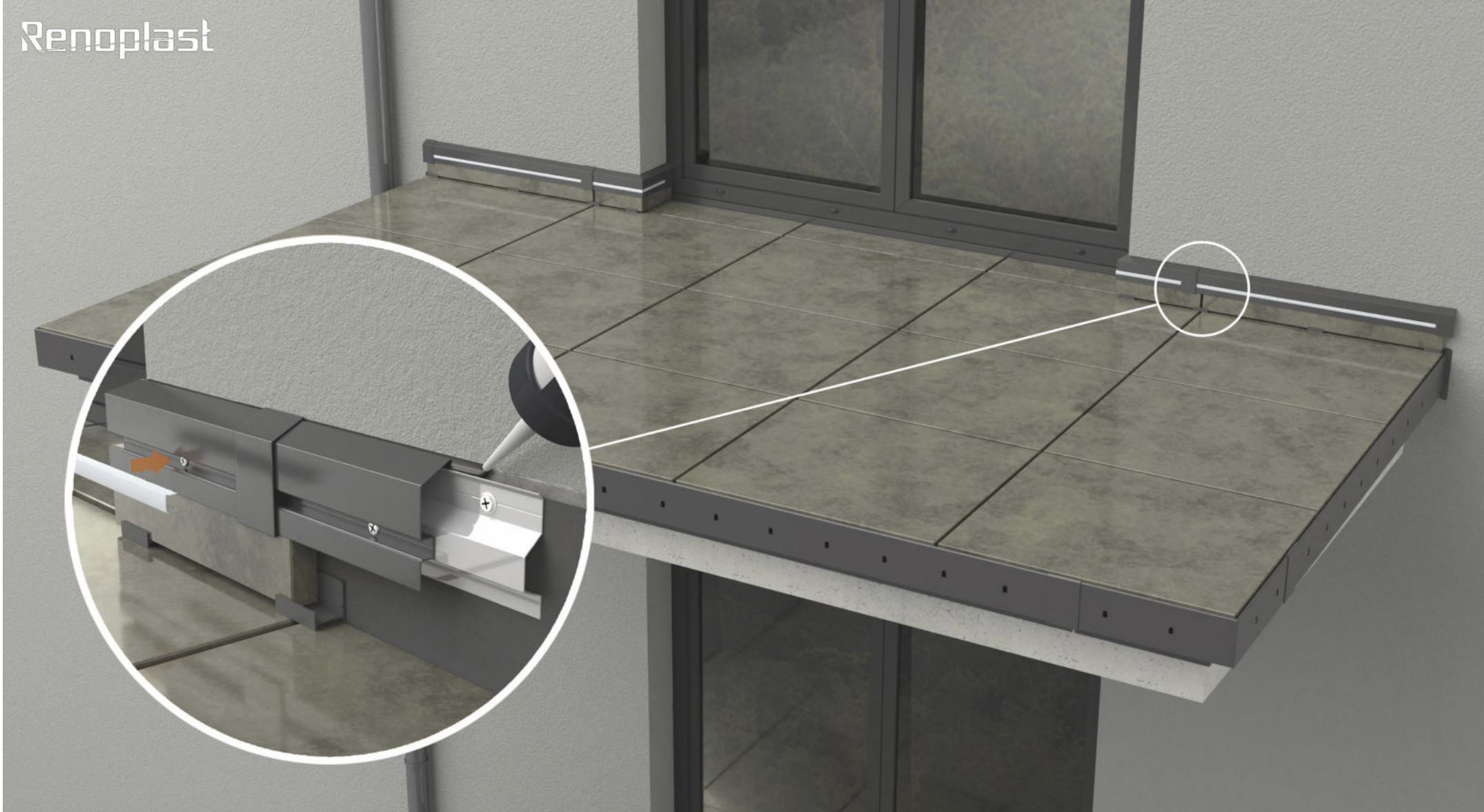
Sealing the threshold area of the balcony door

We seal the corners of the balcony door jambs by gluing prefabricated external **EPDM corners**. The corners should be glued on **KS137** glue and seal the corner edge with **KS96** sealant. Joining the **EPDM membrane** with the threshold balcony doors are made with reinforced **EPDM adhesive tape with a layer of butyl**.



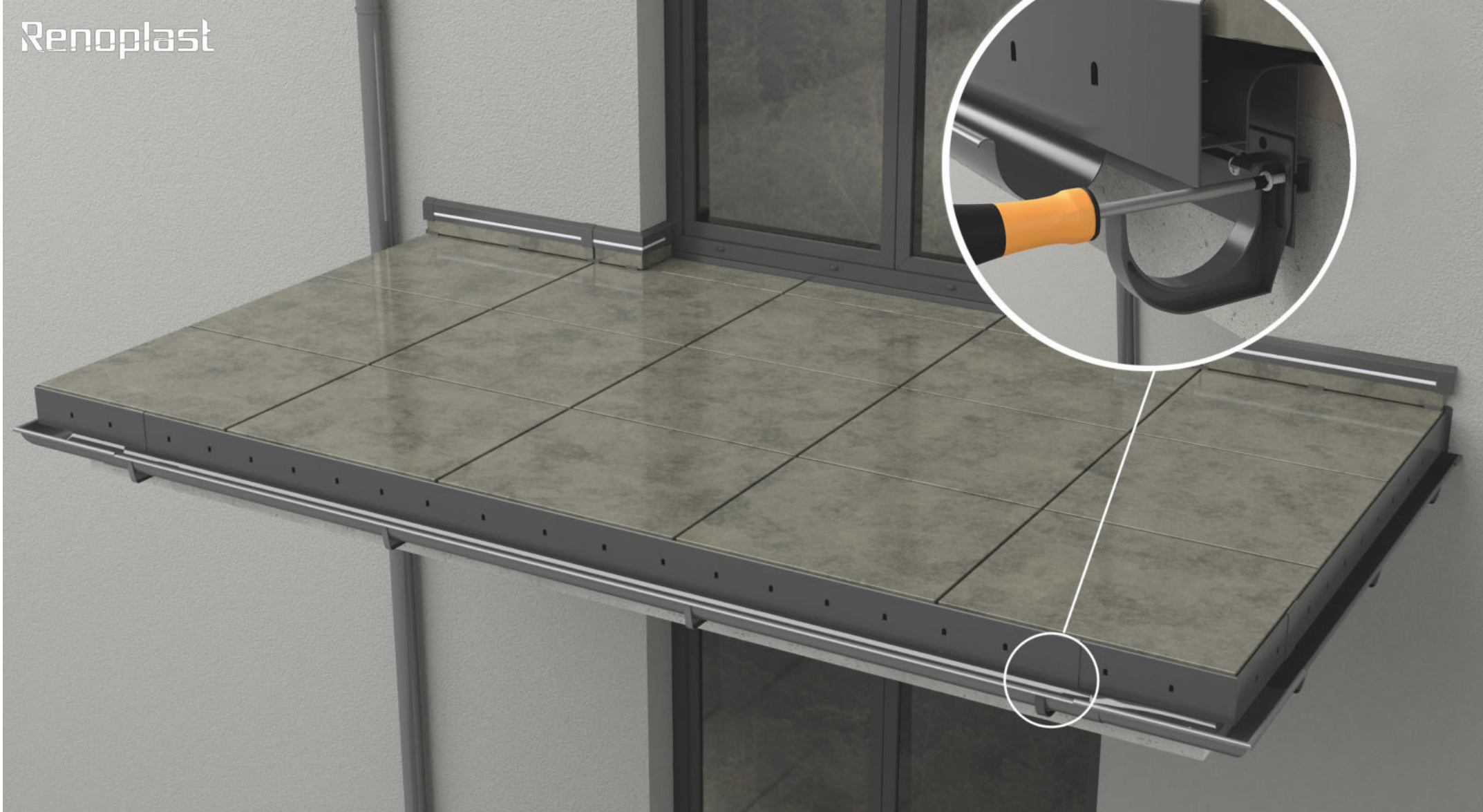
Laying the floor slabs on SMART pedestals

Floor slabs are laid on **SMART** pedestals. The locations where the slabs are supported depend on the size of the flooring slabs. An example of a support for 60x60 cm slabs is presented in the drawing above. Use adjustment shims of thickness **0.5, 1, 2** and **3** mm to adjust and compensate for substrate unevenness and irregularity.



Installation of plinth profiles C1 and C2

At the height of the edge of the **EPDM membrane**, mechanically fix the plinth profile **C1** to the wall. Apply elastic polyurethane compound along the upper joint of the **C1** profile and cover the plinth tiles. Then install the closing profile **C2** with corners and fasteners. The last step is to install the plastic strip in the gap of the **C2** profile. The design of the **C2** profile allows the installation of a LED strip to illuminate the floor.



Installation of 75 mm PVC gutter

The **W30R** profile is equipped with a gutter strip, which allows the installation of a gutter with a diameter of 75 mm (e.g. Marley, Gamrat or Bryza). **Renoplast MG75** or **G75** hooks are screwed to the gutter band with stainless steel screws on the W30R profile. Install the chosen gutter system on the set hooks.



COMMENTS:

The leading edge of the **W30R** profile has a height of 30 mm, which corresponds to the height of the floor of the thick-layer panels laid on **SMART pads**. The drainage holes are located below the waterproofing level, which effectively drain water from the surface of the balcony/terrace. In the case of obstruction of the drainage holes, there are emergency overflow holes to inform the user of the need for inspection. Profile leading edge **W30R** provides support for the floor slabs.