

RENOPAD PRO terrace supports are used for the construction of ventilated terrace and balcony floors with adjustable height for installed floor tiles.



FEATURES

- High load-bearing capacity
- Very stable support of the floor tiles
- Wide adjustment range from 13 to 300 mm (without expanders)
- System-provided slope corrector on the ground
- System-included 50 mm or 100 mm raising expanders
- UV-resistant and weather-resistant
- Environmentally friendly manufactured from recycled materials, recyclable

TECHNICAL DATA

BASE:	Polypropylene (recycled material)
WIDTH OF CREATED GAP:	2 mm
HEIGHT:	13-18 mm, 18-23 mm, 23-29 mm, 29-47 mm, 47-65 mm, 65-119 mm, 119-173 mm, 173-300 mm
COLOURS:	black (base and screw), green (nut)

TOOLS

Metre rule, knife, spirit level, tile suction cup.

ADDITIONAL COMPONENTS AND ADJUSTMENT RANGE



DISTANCE COVER
0,5 mm



DISTANCE COVER
1,0 mm



DISTANCE COVER
2,0 mm



DISTANCE COVER
3,0 mm



SPACER CLIP



SLIDING SHELL



DAMPING PLATE



JOISTER COVER



SLOPE CORRECTOR
0-5%



EKSPANDER
50 mm



EXPANDER
100 mm



RENOPAD PRO
ht. 13-18 mm



RENOPAD PRO
ht. 18-23 mm



RENOPAD PRO
ht. 23-29 mm



RENOPAD PRO
ht. 29-47 mm



RENOPAD PRO
ht. 47-65 mm



RENOPAD PRO
ht. 65-119 mm



RENOPAD PRO
ht. 119-173 mm



RENOPAD PRO
ht. 173-300 mm

RENOPAD PRO terrace supports are used for the construction of ventilated terrace and balcony floors with adjustable height for installed floor tiles.



SUBSTRATE

Cement substrate or other substrate with adequate bearing capacity.

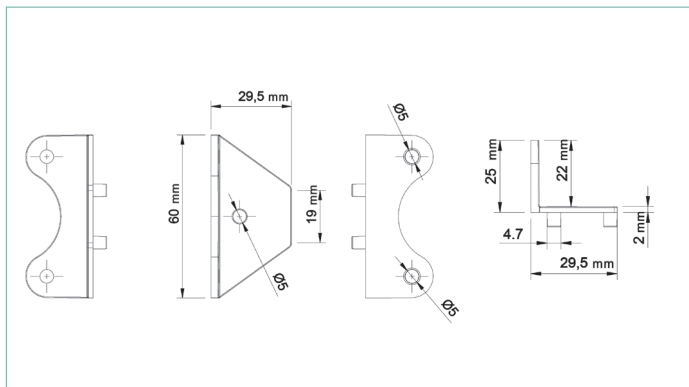
INSTALLATION RECOMMENDATIONS

Before starting installation work, read the technical documentation or other guidelines, e.g. for the installation of floor slabs, with particular attention to the recommended support points for the floor slabs.

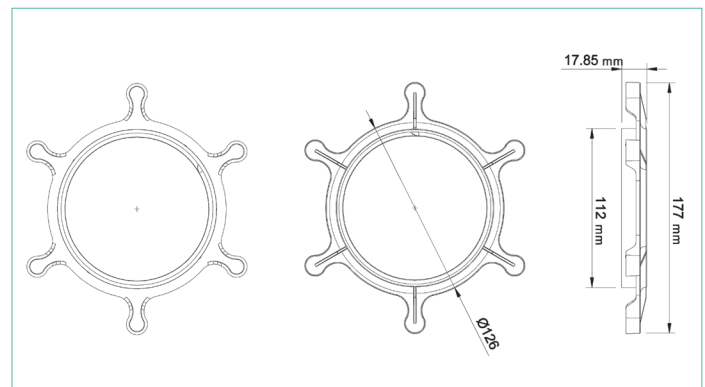
USE RECOMMENDATIONS

RENOPAD PRO supports are designed for laying floor slabs on balconies, terraces or other surfaces with imposed loads of up to 3,5 kN/m².

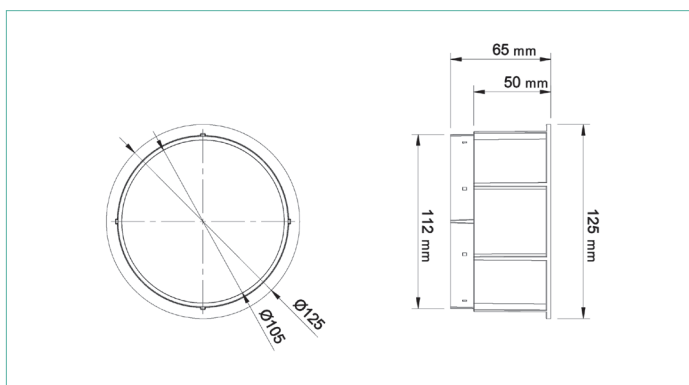
DIMENSIONS



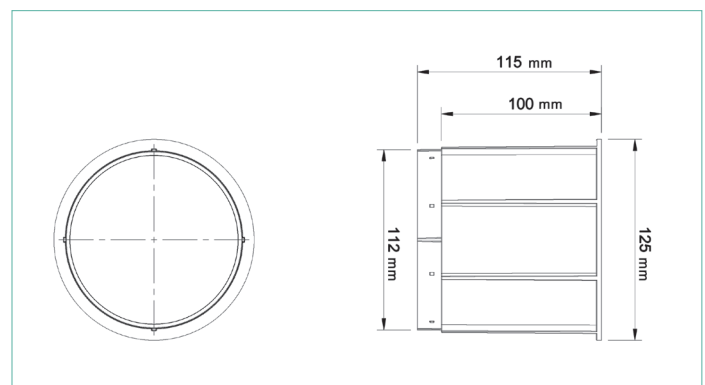
JOIST COVER



NUT



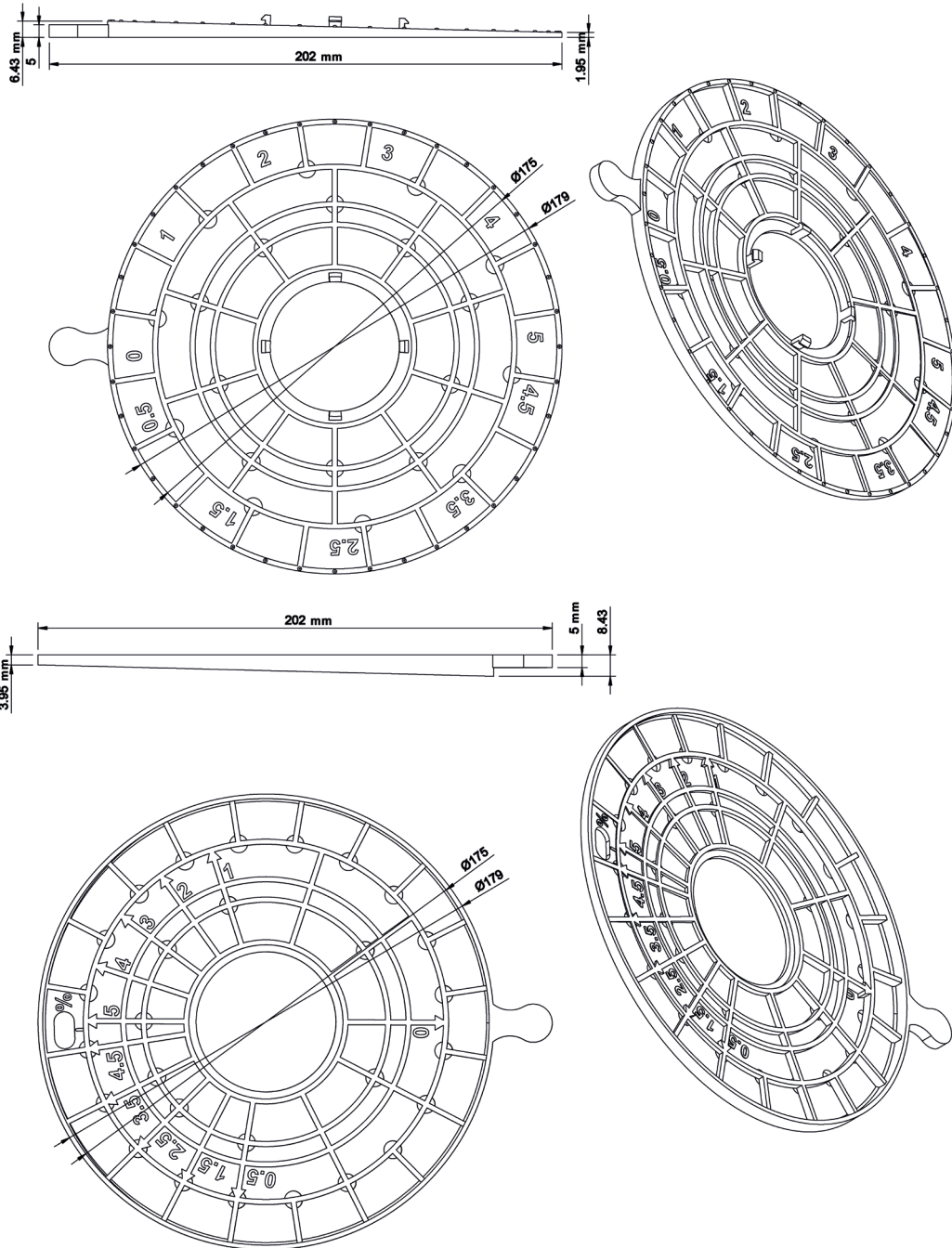
EXPANDER 50



EXPANDER 100



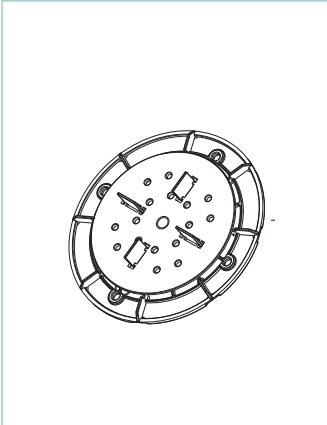
DIMENSIONS



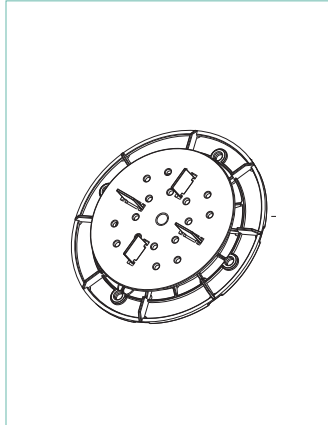
SLOPE CORRECTOR



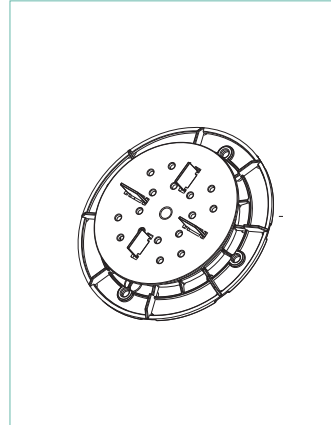
DIMENSIONS



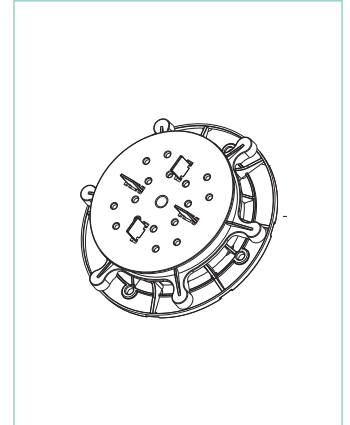
RENOPAD PRO 13-18 mm



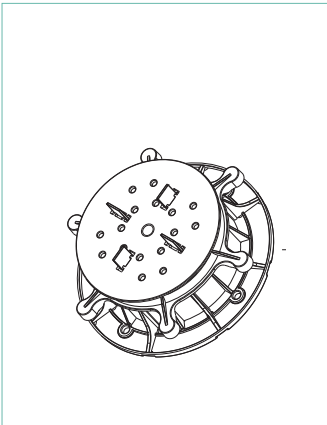
RENOPAD PRO 18-23 mm



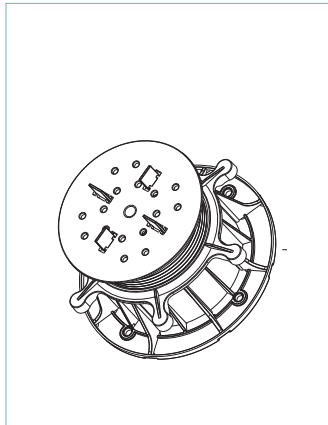
RENOPAD PRO 23-29 mm



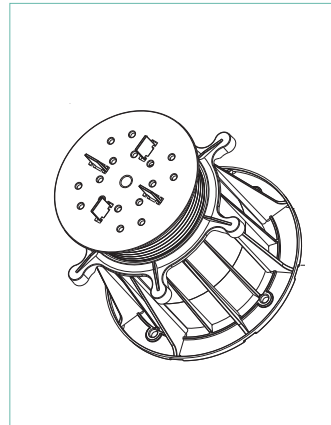
RENOPAD PRO 29-47 mm



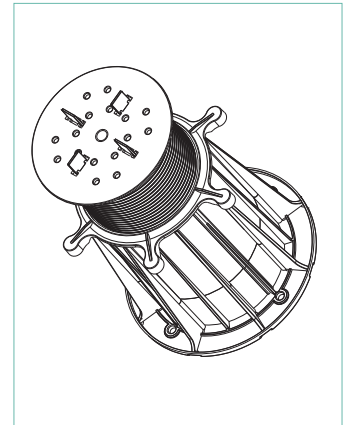
RENOPAD PRO 47-65 mm



RENOPAD PRO 65-119 mm

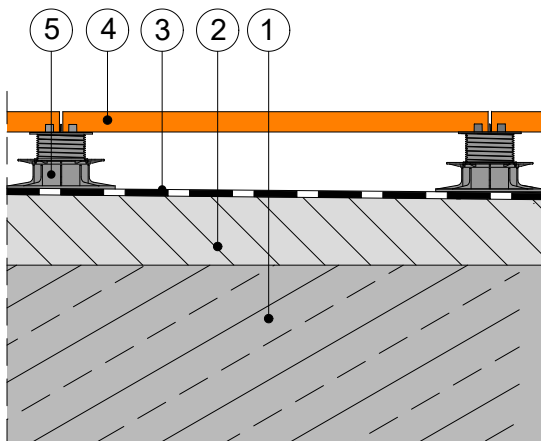


RENOPAD PRO 119-173 mm



RENOPAD PRO 173-300 mm

EXAMPLE OF APPLICATION



1. Load-bearing substrate
2. Sloping layer
3. Waterproofing layer
4. Cladding ("thick layer tiles")
5. **RENOPAD PRO** pedestals

Renoplast

RENOPAD PRO

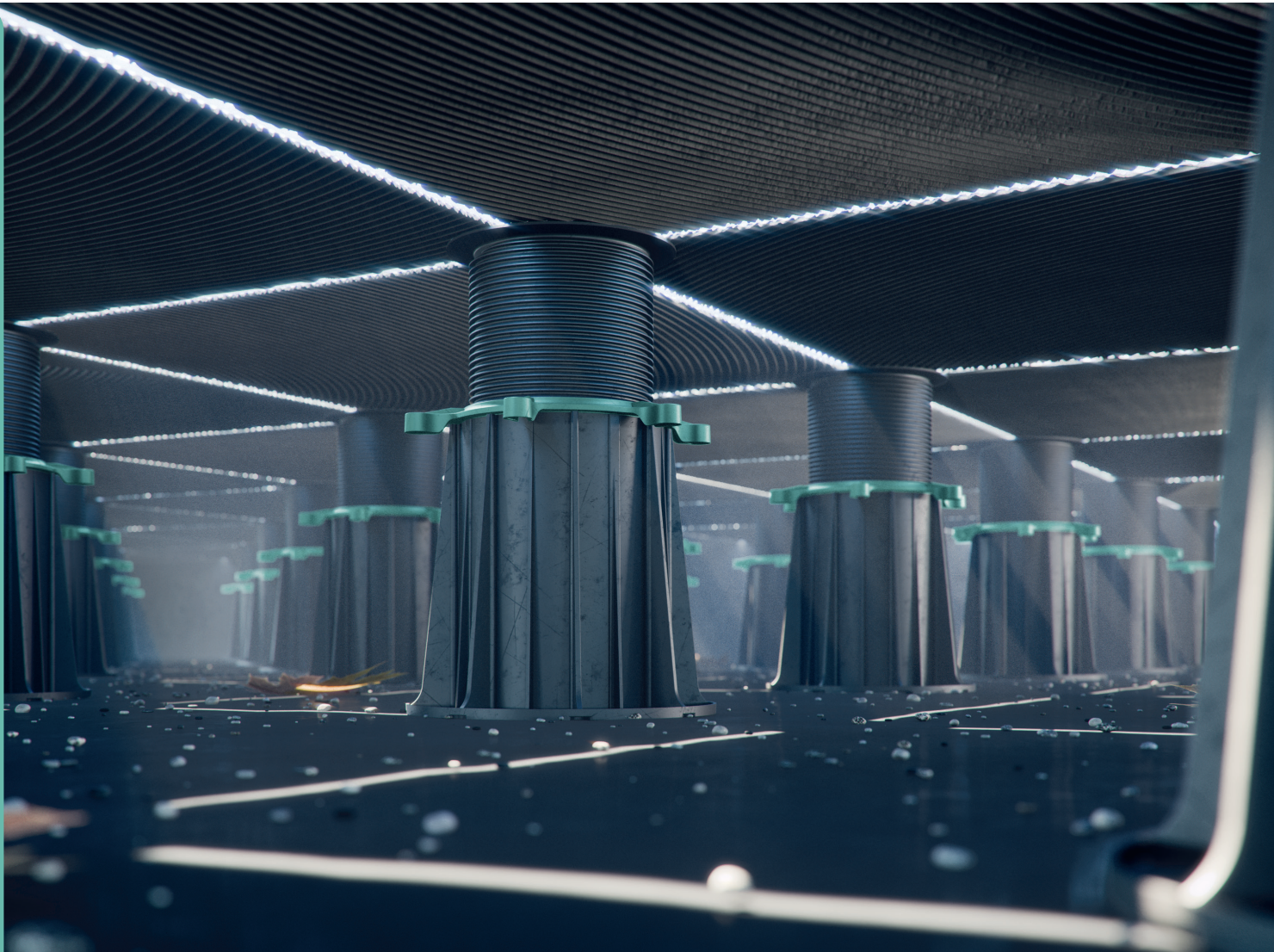
ADJUSTABLE SUPPORTS

RENOPAD PRO terrace supports are used for the construction of ventilated terrace and balcony floors with adjustable height for installed floor tiles.



www.renoplast.pl

RENOPLAST Sp. z o.o., Ul. Fabryczna 14, 34-300 Żywiec; tel: +48 33 863 78 89



Fundusze Europejskie



Rzeczpospolita Polska

Finansowane przez Unię Europejską



Notes:

Version 4.09.2024. With the issue of this „Technical Information” previous ones are no longer valid. The above information applies only to the general conditions of use of our products and does not replace the technical design. In the case of use under other conditions, it is the contractor's responsibility to check that Renoplast products are suitable for use under those conditions. The data given in this technical information may slightly differ from actual data, the difference may be due to permissible changes in production technology, changes in the dimensions of production tools. For use with Renoplast products, it is recommended to use materials from proven manufacturers. The liability of Renoplast Sp. z o.o. in respect of the extent and nature of the information provided may apply only to claims in the case of gross negligence (intent or negligence).

Renoplast

RENOPLAST Sp. z o.o.
tel: 33 863 78 89
biuro@renoplast.pl
www.renoplast.pl

